

MAGICFX[®] PSYCO2JET

USER AND INSTALLATION MANUAL



CO₂ FX

DMX with RDM capability



DISCLAIMER

⚠ WARNING

Read this manual carefully before installing and/or using this product. Failure to read the manual and to follow the printed instructions may lead to personal injury and/or damage to the product.

© 2017 MAGICFX®
All rights reserved.

Nothing from this publication may be copied, reproduced and/or published by means of printing, photocopying or by any other means, without the prior written approval of MAGIC FX.

MAGIC FX reserves the right to modify specifications stated in this manual.

TRADEMARKS

Any brand names mentioned in this manual are registered trademarks of their respective owners.

LIABILITY

MAGIC FX accepts no liability for claims from third parties arising from unauthorised use, use other than that stated in this manual, and use other than in accordance with the General Conditions registered at the Chamber of Commerce.

Refer further to the General Conditions. These are available on request, free of charge.

Although considerable care has been taken to ensure a correct and suitably comprehensive description of all relevant components, the manual may nonetheless contain errors and inaccuracies.

Should you detect any errors or inaccuracies in the manual, we would be grateful if you would inform us. This helps us to further improve our documentation.

TABLE OF CONTENTS

Disclaimer	2
Trademarks	2
Liability	2
Foreword	4
Language	4
Revision table	4
1 Meet the MAGICFX® PSYCO2JET!	5
1.1 Main parts	5
1.2 Technical data	6
1.3 Product identification	7
1.4 Accessories	7
1.5 Display panel	7
1.6 RAW mode	9
1.7 PRESET mode	10
1.8 RDM capability	13
2 Blast safely!	14
2.1 General safety rules	14
2.2 CO ₂	14
2.3 Indoor use	14
2.4 Rigging	15
2.5 Noise level	15
2.6 Safety symbols	15
2.7 Precautions for operation	15
3 Let's blast!	16
3.1 Mount on a stage	16
3.2 Mount on a truss	18
3.3 Connect DMX and power	21
3.4 Setup multiple machines in a sequence	22
3.5 Connect CO ₂	23
3.6 Blast with DMX	25
3.7 Replace a CO ₂ cylinder	26
3.8 Clean up	28
4 Maintenance	30
5 Troubleshooting	30
6 Correct disposal	30
7 EC Declaration of Conformity	31

FOREWORD

Congratulations! You have bought a great new product from MAGIC FX.

This manual contains all information required for the intended use of the equipment. Deviation from the described intended use can result in a hazardous situation and/or property damage.

This manual includes notes and warnings on safe operation of the equipment. These notes and warnings are accompanied by the following icons. Read them attentively!

⚠ DANGER	Indicates a hazardous situation that, if not avoided, will result in death or serious injury. This signal word is to be limited to the most extreme situations.
⚠ WARNING	Indicates a hazardous situation that, if not avoided, could result in death or serious injury.
⚠ CAUTION	Indicates a hazardous situation that, if not avoided, could result in minor or moderate injury.
NOTICE	Indicates information considered important, but not hazard-related (e.g. messages relating to property damage).

LANGUAGE

This document contains the original instructions in English. In case you require other languages please contact MAGIX FX.

REVISION TABLE

Document nr	Revision	Date	Description	Authored by	Checked by
PART01127	01-00	13-02-2017	Initial release	TFR	TVA

1 MEET THE MAGICFX® PSYCO2JET!

The MAGICFX® PSYCO2JET is a special effects machine that blasts CO₂ into the air.

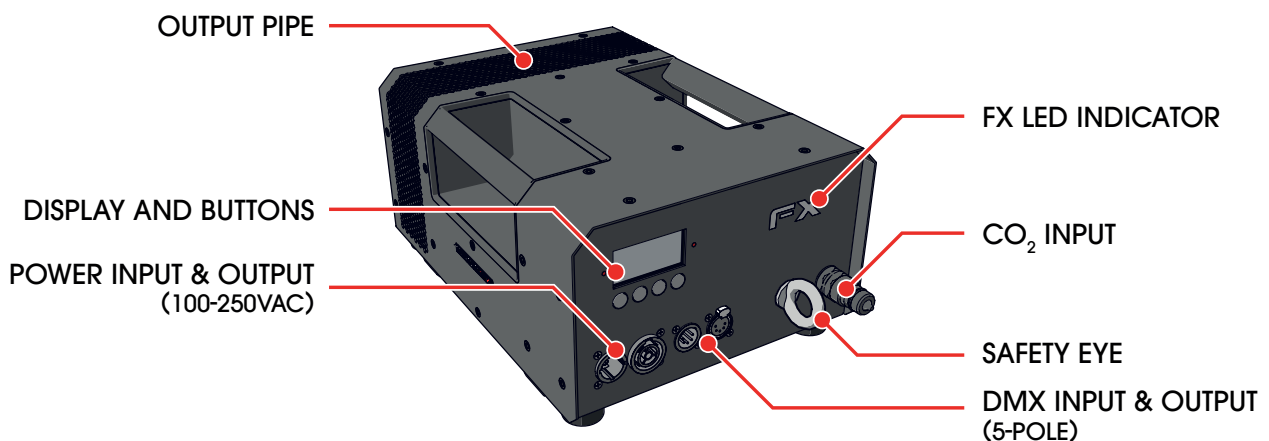
The MAGICFX® PSYCO2JET is equipped with a CO₂ powered rotating nozzle. A solenoid valve controls the supply of liquid CO₂ to the nozzle. From the nozzle, the CO₂ escapes through the output pipe. A blast of escaping CO₂ is accompanied by a strong hissing sound and a white plume of smoke will be visible from the output pipe. The nozzle with output pipe is mounted on a 180° rotatable pipe, driven by an electric motor. By blasting and varying the output direction the MAGICFX® PSYCO2JET delivers spectacular effects.

The MAGICFX® PSYCO2JET is outfitted for operation:

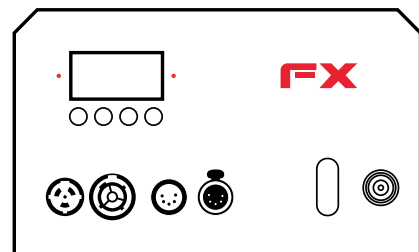
- with DMX and optionally RDM;
- in RAW mode or in PRESET mode;
- in sequence with multiple machines.

The MAGICFX® PSYCO2JET is mounted on a truss or on stage.

1.1 MAIN PARTS



FRONT SIDE
as seen by the audience in most cases



BACK SIDE
with display, buttons and connections

Main parts in backside view

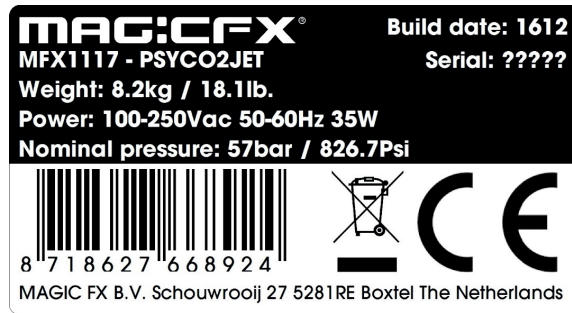
All operational tasks and software presets are oriented as if one is facing the front side of the unit.

1.2 TECHNICAL DATA

Product	Product Name	MAGICFX® PsyCO ₂ Jet	
	Product Code	MFX1117	
	Product Type	CO ₂ FX	
Main Dimensions	Length (mm/in.)	330	13
	Width (mm/in.)	250	9,8
	Height (mm/in.)	165	6,5
Weight	Empty weight (kg/lb.)	8,2	18,1
Package	Length (mm/in.)	480	18,9
	Width (mm/in.)	350	13,8
	Height (mm/in.)	270	10,6
	Packaged weight (kg/lb.)	9	19,8
Environment	Minimum Temperature (°C/°F)	-10	14
	Maximum Temperature (°C/°F)	50	122
	Humidity (Relative)	20% to 90% (non condensing)	
	IEC 60529 (IP) Rating	IP23	
Electrical	Voltage Input (Vac)	100 – 250 Vac	
	Voltage Frequency	50 – 60 Hz	
	Power Consumption (Vac)	35 W	
	Power Connector (Vac)	Neutrik® powerCON TRUE1 (in & out)	
	Voltage Input (Vdc)	-	
	Power Consumption (Vdc)	-	
	Power Connector (Vdc)	-	
	Battery	-	
Controlling	Control Options	DMX	
	Control Protocols	DMX512-A (ANSI E1.11) / RDM (ANSI E1.20)	
	Control Connectors	Neutrik® 5 pole male / female XLR	
Configuring	Configure Options	On Device & RDM	
Usage	Consumable(s)	-	
	Consumable Consumption	-	
	Propellant	Liquid CO ₂	
	Propellant Connector	CO ₂ Quick Connector 3/8"	
	Propellant Consumption	0,5 L/s	

Technical data

1.3 PRODUCT IDENTIFICATION



Type plate

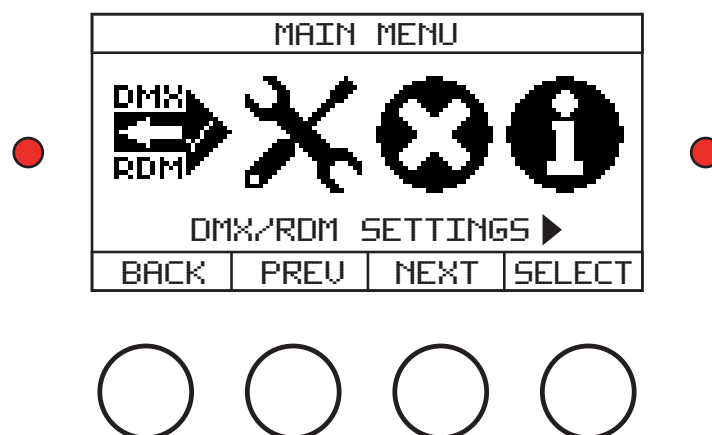
1.4 ACCESSORIES

Code	Product
MFX1114	CO ₂ High Pressure Hose 3/8 Male - Female, 1.25M
MFX1105	CO ₂ High Pressure Hose 3/8 Male - Female, 2M
MFX1106	CO ₂ High Pressure Hose 3/8 Male - Female, 3M
MFX1107	CO ₂ High Pressure Hose 3/8 Male - Female, 6M
MFX1108	CO ₂ High Pressure Hose 3/8 Male - Female, 10M
MFX1109	CO ₂ High Pressure Hose 3/8 Male - Female, 15M
MFX1110	CO ₂ 90 Degrees Connector 3/8
MFX1103	CO ₂ Bottle to Hose Connector
MFX1115	CO ₂ Bottle to Hose Connector 90 Degrees

Accessories

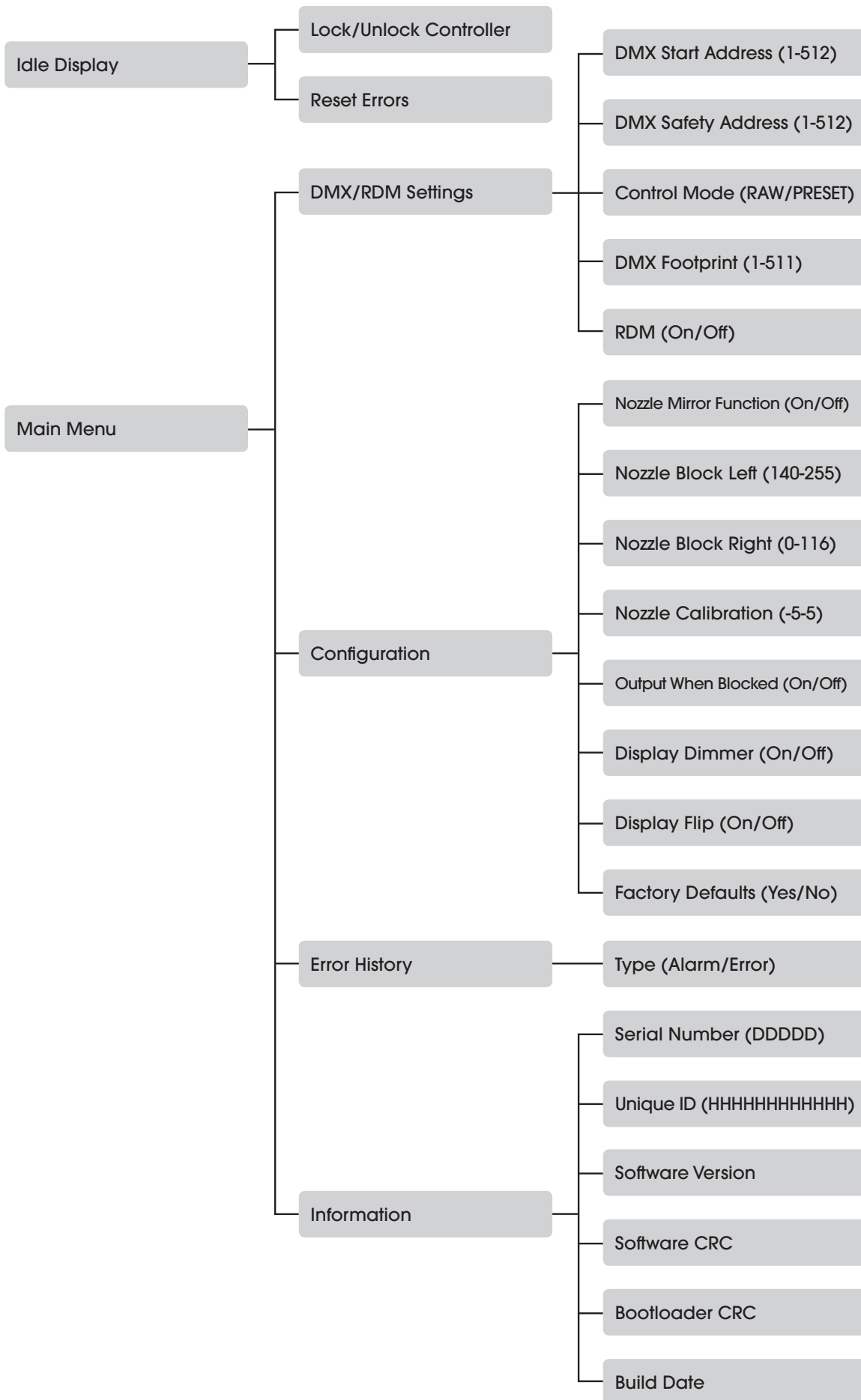
Please contact MAGIC FX for additional possibilities.

1.5 DISPLAY PANEL



Display panel

The display panel is located on the backside of the MAGICFX® PSYCO2JET. Check the following menu structure for all options in the menu. Use the buttons for navigation and selection. The left-hand LED blinks red when DMX is active. The right-hand LED blinks red when an error has occurred.



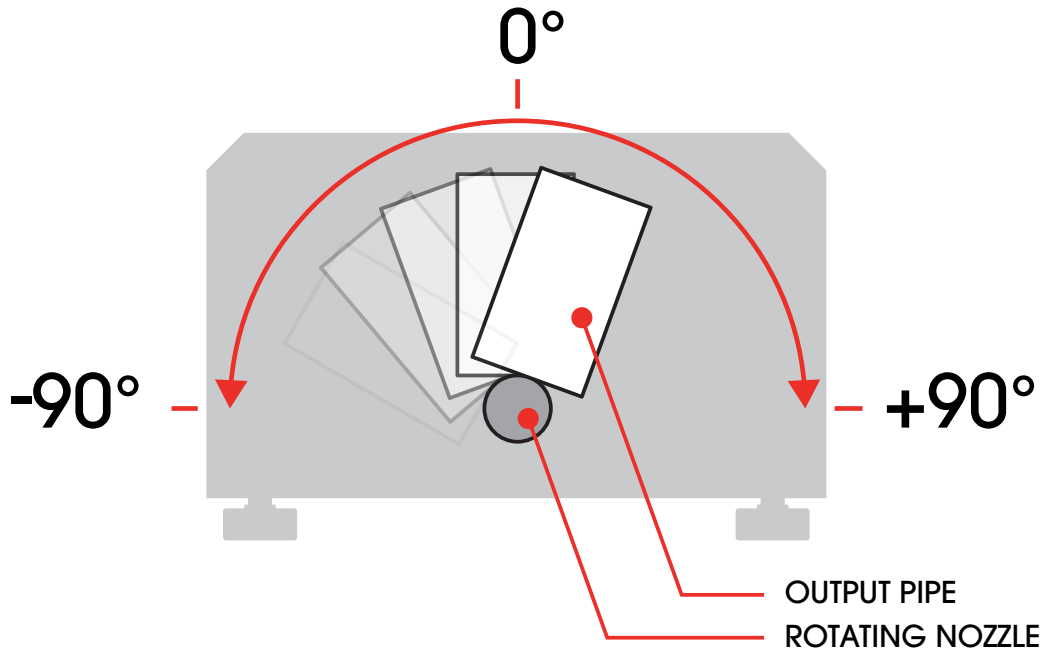
Menu structure

1.6 RAW MODE

In RAW mode, the operator controls the output of the MAGICFX® PSYCO2JET directly. With DMX the operator controls the following variables:

- The angle of the rotating nozzle and output pipe, see figure
- The speed of rotation
- The output (CO₂ valve open or closed)

RAW mode is selected from the operator menu. Check Section 1.5 for the menu structure.



Output angle when facing the front side of the unit

In RAW mode the MAGICFX® PSYCO2JET is controlled with 1 safety address and 3 operational addresses.

DMX Address	Address range
Safety address	1 - 512
Start address (Angle)	1 - 512
Start address + 1 (Speed)	1 - 512
Start address + 2 (Output)	1 - 512

DMX addresses

The Safety address cannot be the same as one of the operational addresses.

Operating of the addresses in RAW mode results in the following:

DMX Address	DMX Value (Decimal)		Result
	0	99	Device disabled
Safety address	100	155	Device enabled
	156	255	Device test mode (CO ₂ output is disabled)
Start address (Angle)	0	126	-90° to -0,7°
	127	128	Center position
	129	255	+0,7° to +90°
Start address + 1 (Speed)	0	255	Minimal speed -> Full speed
Start address + 2 (Output)	0	199	Valve off
	200	255	Valve on

Operation of the DMX addresses

When you link multiple machines with DMX, we advise you to use the same Safety address for all machines.

⚠ CAUTION

Always plug in a DMX Terminator into the DMX output of the final unit in the control sequence. Using a DMX Terminator improves signal reliability.

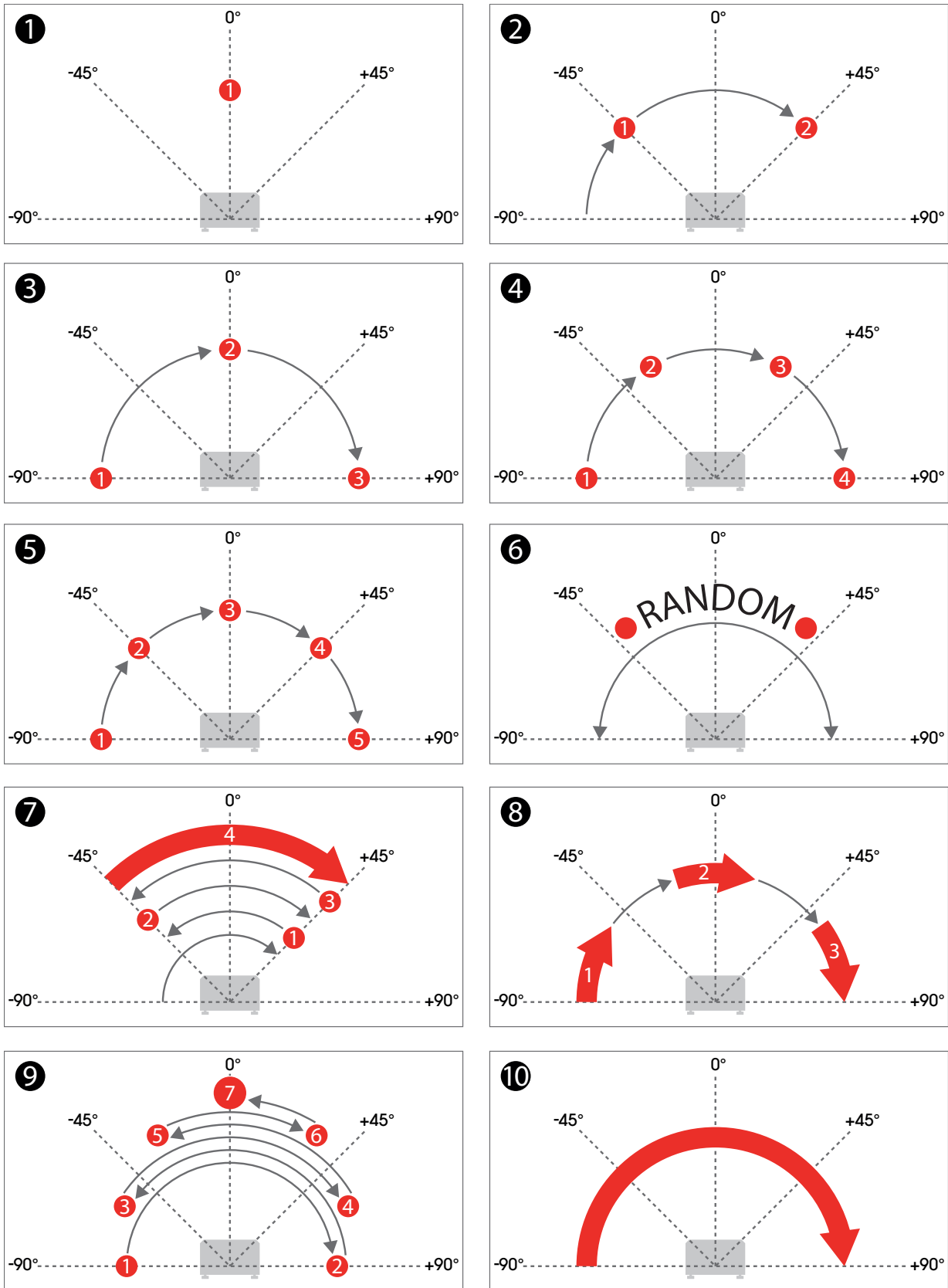
1.7 PRESET MODE

In PRESET mode, the operator controls the output of the MAGICFX® PSYCO2JET with the help of one of the preprogrammed presets. With DMX the operator controls the following variables:

- The selected preset
- The speed of rotation of the output pipe
- The directions of the output pipe
- The 'Go' mode:
 - OFF (No movement)
 - Continuous (The preset is repeated continuously)
 - Step in preset (Step by step)

PRESET mode is selected from the operator menu. Check Section 1.5 for the menu structure.

The MAGICFX® PSYCO2JET is programmed with 10 presets. Each preset is a unique sequence of pulses and/or sweeps of CO₂, see figure.



- ⑧ PRESET NUMBER
- ③ SEQUENCE NUMBER (LEFT DIRECTION)

- PULSE
- LONG PULSE
- ➡ SWEEP
- ➡ MOVEMENT OF NOZZLE

Presets sequences when facing the front side of the unit

In PRESET mode the MAGICFX® PSYCO2JET is controlled with 1 safety address and 4 operational addresses.

DMX Address	Address range
Safety address	1 - 512
Start address (Preset)	1 - 512
Start address + 1 (Speed)	1 - 512
Start address + 2 (Direction)	1 - 512
Start address + 3 (Go)	1 - 512

DMX addresses

The Safety address cannot be the same as one of the operational addresses. Operating of the addresses in PRESET mode results in the following:

DMX Address	DMX Value (Decimal)	Function
Safety address	0 99	Device disabled
	100 155	Device enabled
	156 255	Device test mode (CO2 output is disabled)
Start address (Preset)	0 24	#1: Single pulse straight up (0°)
	25 49	#2: 2 pulses distributed over 180° (-45° +45°)
	50 74	#3: 3 pulses distributed over 180° (-90°, 0°, +90°)
	75 99	#4: 4 pulses distributed over 180° (-90°, -30°, +30°, +90°)
	100 124	#5: 5 pulses distributed over 180° (-90°, -45°, 0°, +45°, +90°)
	125 149	#6: Random pulses over 180°
	150 174	#7: Pulse at +45°, pulse at -45°, pulse at +45°, sweep from -45° back to +45°
	175 199	#8: Three sweeps over 180° (-90° to -54°, -18° to +18° and +54° to +90°)
	200 224	#9: Pulse at -90°, pulse at +90°, pulse at -60°, pulse at +60°, pulse at -30°, pulse at +30°, long pulse at 0°
	225 255	#10: Sweep over 180°
Start address + 1 (Speed)	0 255	Minimal speed -> Full speed
Start address + 2 (Direction)	0 63	Left Preset repeatedly starts from the left
	64 127	Left Bounce Preset repeatedly starts from the left and returns mirrored from the right
	128 191	Right Bounce Preset repeatedly starts mirrored from the right and returns from the left
	192 255	Right Preset repeatedly starts from the right
Start address + 3 (Go)	0 199	Off
	200 249	Continuous mode
	250 255	Step in preset

Operation of the DMX addresses

When you link multiple machines with DMX, we advise you to use the same Safety address for all machines.

⚠ CAUTION

Always plug in a DMX Terminator into the DMX output of the final unit in the control sequence. Using a DMX Terminator improves signal reliability.

1.8 RDM CAPABILITY

Remote Device Management Protocol (RDM) is an enhancement of the DMX512 communication protocol. RDM can be used for configuration and status monitoring while DMX512 takes care of the default DMX controlling.

For RDM you will need a RDM compatible controller, cables and a RDM responder like the MAGICFX® PSYCO2JET. You can activate or deactivate RDM in the menu, see Section 1.5.

The following RDM parameters are supported by the MAGICFX® PSYCO2JET.

Parameter ID	Discovery	GET	SET
DISC_UNIQUE_BRANCH	X		
DISC_MUTE	X		
DISC_UN_MUTE	X		
DEVICE_INFO		X	
SUPPORTED_PARAMETERS		X	
SOFTWARE_VERSION_LABEL		X	
DEVICE_MODEL_DESCRIPTION		X	
MANUFACTURER_LABEL		X	
SLOT_DESCRIPTION		X	
DMX_PERSONALITY_DESCRIPTION		X	
DMX_START_ADDRESS		X	X
IDENTIFY_DEVICE		X	X
DEVICE_LABEL		X	X
FACTORY_DEFAULTS		X	X
DMX_PERSONALITY		X	X
DISPLAY_INVERT		X	X
PAN_INVERT		X	X
RESET_DEVICE			X

RDM parameters

RDM parameters are subject of change due to software updates. Contact MAGIC FX for the latest information and updates.

2 BLAST SAFELY!

The MAGICFX® PSYCO2JET has been designed and constructed in such a manner that it can be used safely. This applies to the use, the circumstances and the regulations as described in this documentation. Reading this documentation and following the instructions are therefore necessary for everyone who is authorised to work with the MAGICFX® PSYCO2JET.

The MAGICFX® PSYCO2JET must be placed and used in surroundings that preferably:

- Have a reasonably stable temperature of between -10 and 50°C.
- Have a relative humidity degree of no more than 90% (non condensing).
- Are reasonably free of dust, corrosive gases and high concentrations of organic vapours.
- Are not situated in the vicinity of a source of vibration.

2.1 GENERAL SAFETY RULES

- Only authorised persons may carry out work with the MAGICFX® PSYCO2JET.
- Do not use the MAGICFX® PSYCO2JET if there are people or animals in the direct output.
- Make sure that children, unauthorised people and animals do not obtain access to the MAGICFX® PSYCO2JET.
- Make sure there are no freestanding objects or objects that can be damaged by the MAGICFX® PSYCO2JET within the output distance.
- Do not use the MAGICFX® PSYCO2JET without a Controller, Dimmer or DMX Pack.
- Do not connect more units to a single electrical circuit than the installed fuse is able to handle. (Calculate the summed load with the electrical data from Section 1.2)
- Do not remove any safeguards, safety caps and safety symbols.
- All required safety devices must be in good condition and function properly.
- Ensure sufficient lighting of the surroundings.
- Keep the workplace clean.

2.2 CO₂

The MAGICFX® PSYCO2JET uses liquid CO₂ as input. The application of CO₂ involves serious risks. Make sure that you are well informed on these risks before installation and/or operation. Always use approved CO₂ cylinders, hoses and connections. Always consult your CO₂ supplier for regulations and instructions on safe installation and use.

MAGIC FX is not liable for unsafe situations, accidents and damage that are the result of incorrect working with CO₂ gas and CO₂ cylinders.

⚠ WARNING

Inadequate installation and/or operation of a CO₂ powered machine and CO₂ cylinders can lead to death or serious injury. Always follow the instructions from this manual, from your CO₂ supplier and from local authorities.

2.3 INDOOR USE

The MAGICFX® PSYCO2JET is designed for outdoor use and use in well-ventilated indoor spaces. When used indoors, make sure you take the necessary preparations. These preparations could include, but are not limited to:

- Consulting your CO₂ supplier.
- Calculating the reduction of oxygen for the indoor space.

- Checking the location for spots where CO₂ could accumulate and taking preventive actions.
- Installing CO₂ monitoring devices that will warn for hazardous CO₂ levels.

⚠ DANGER

Do not use the MAGICFX® PSYCO2JET in poor ventilated confined spaces. Exposure to high levels of CO₂ gas can cause symptoms like headache, nausea, loss of consciousness or even death.

2.4 RIGGING

Please follow the European and national guidelines for safe rigging and trussing.

2.5 NOISE LEVEL


The environmental noise level as measured from the product is 118 dB(A). This level of noise is only reached during the short instances that the CO₂ output is active. Therefore hearing protection is not necessary.

⚠ WARNING

Do not operate the MAGICFX® PSYCO2JET close to yourself or to others for a long period of time. If you experience any hearing loss or ringing in the ears, you should immediately stop using the unit.

2.6 SAFETY SYMBOLS

The following safety symbols are present on the MAGICFX® PSYCO2JET.

Symbol	Meaning
	Read the manual carefully before use!

Safety symbols

2.7 PRECAUTIONS FOR OPERATION

⚠ WARNING

Using a damaged or an improper installed machine can lead to death, serious injury and property damage. Always inspect the machine thoroughly before operation.

⚠ WARNING

A poorly mounted machine will come loose when the machine blasts CO₂. This can lead to death, serious injury and/or property damage. Always inspect if the machine is mounted firmly and correctly as according to the instructions in this manual.

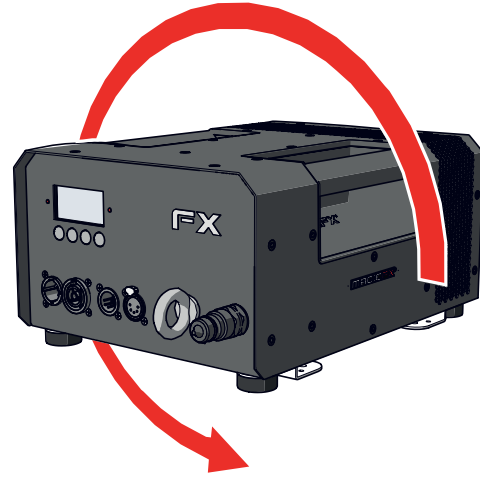
⚠ WARNING

Missing or obscured safety symbols on the machine can lead to death or serious injury. Make sure all safety symbols are correctly in place, see section 2.6.

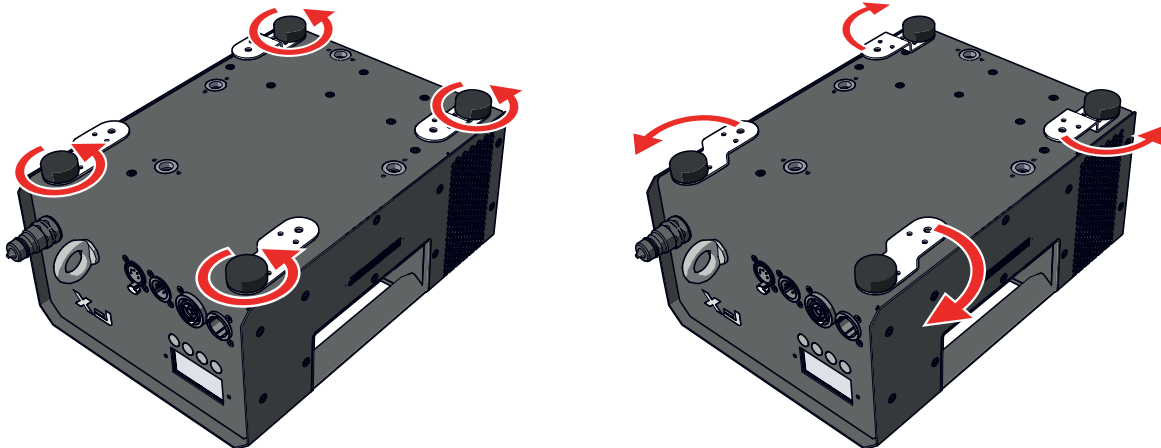
3 LET'S BLAST!

3.1 MOUNT ON A STAGE

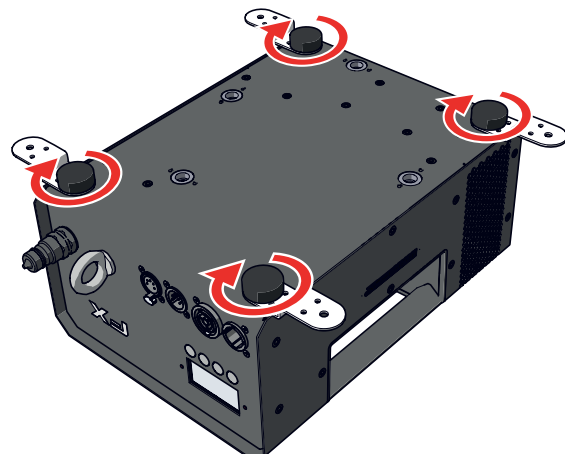
- 1 Flip the MAGICFX® PSYCO2JET upside down.



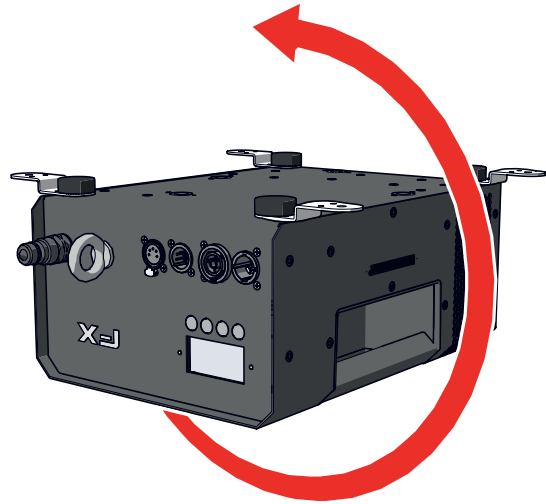
-
- 2 Loosen the rubber feet and rotate each stage bracket outwards.



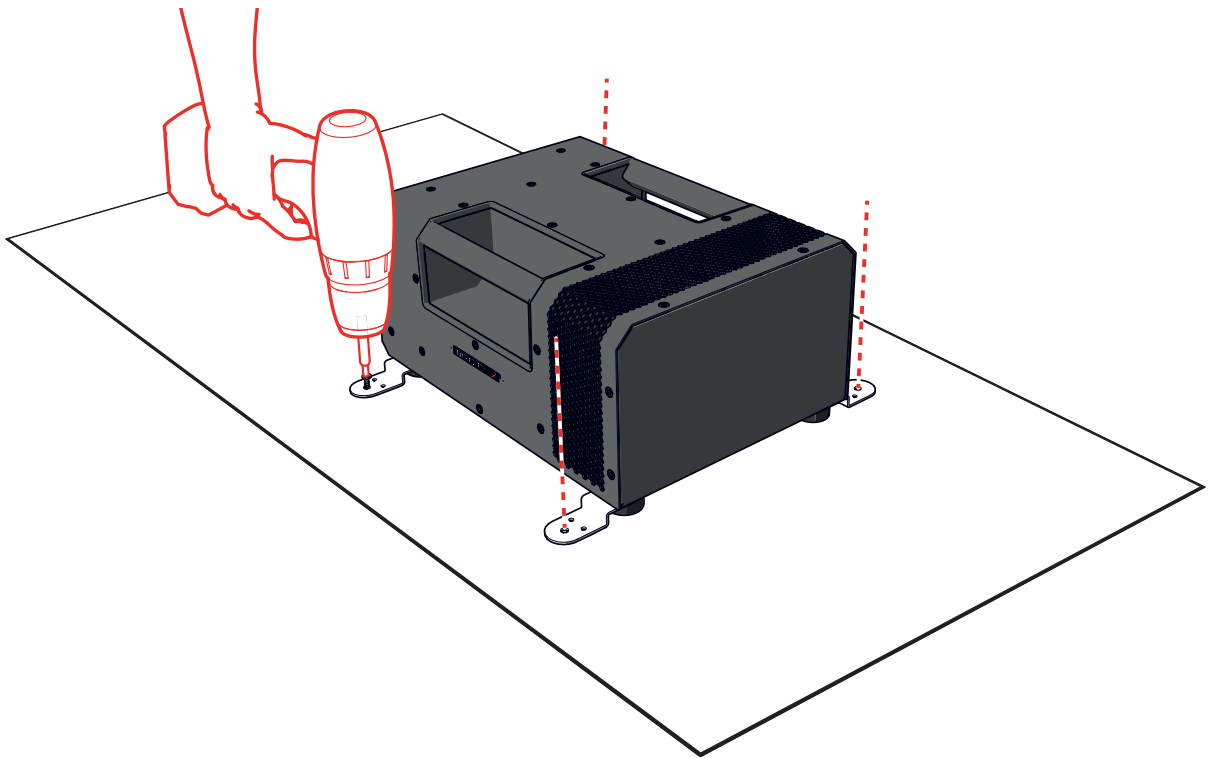
-
- 3 Firmly fasten the rubber feet.



4 Flip the MAGICFX® PSYCO2JET back.

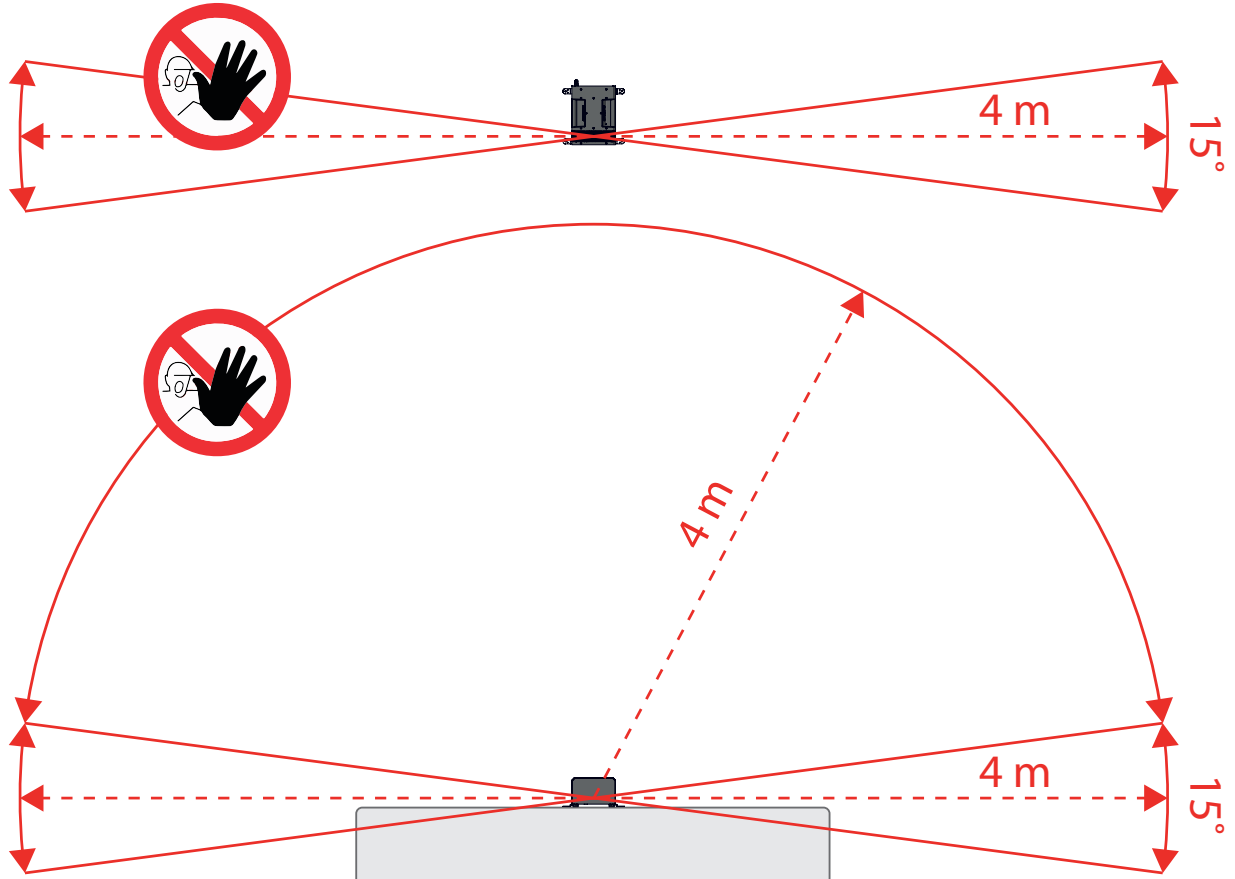


5 Mount the MAGICFX® PSYCO2JET firmly on a stage.



6 Inspect if the MAGICFX® PSYCO2JET is mounted firmly.

-
- 7 a) Create a safety zone in the direction of the output of the MAGICFX® PSYCO2JET as shown in the following figure.
- b) Make sure that the direct output will be free from persons and animals.
- c) Make sure there are no freestanding objects or objects that can be damaged by the MAGICFX® PSYCO2JET within the output distance.

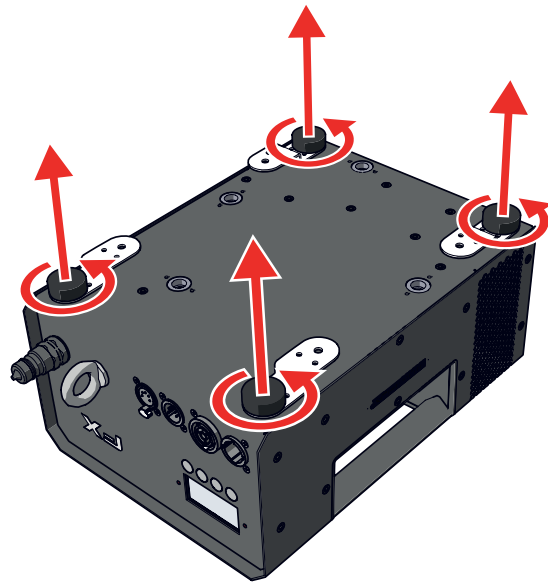


3.2 MOUNT ON A TRUSS

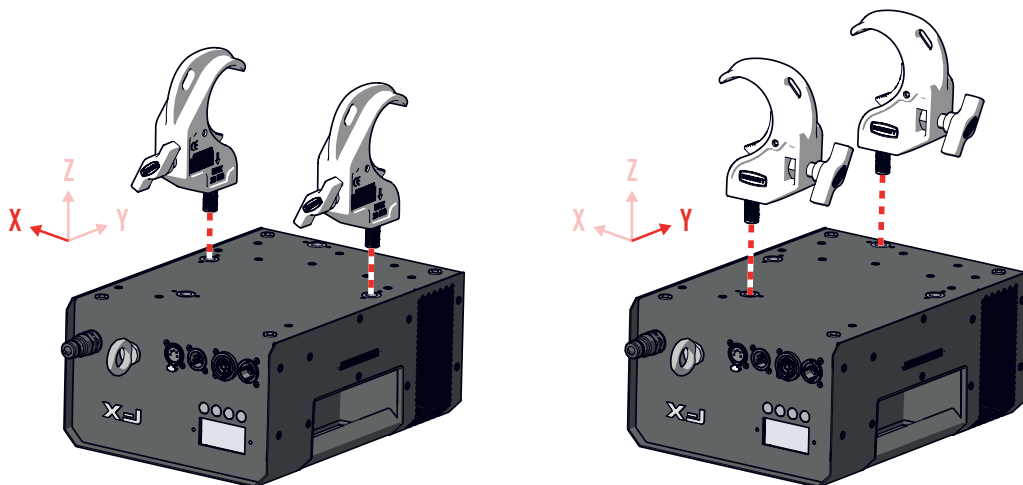
- 1 Flip the MAGICFX® PSYCO2JET upside down.



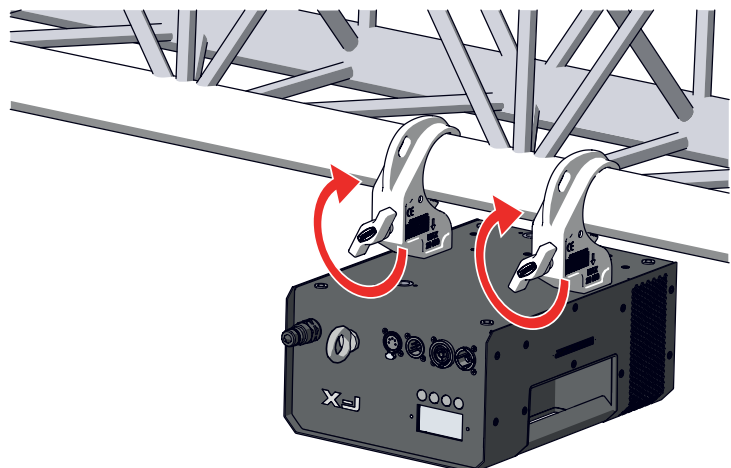
-
- 2 Optionally you can remove the rubber feet and stage brackets.



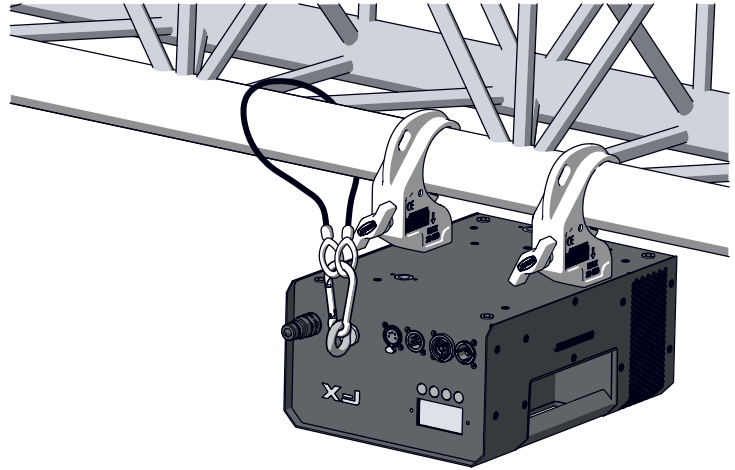
-
- 3 Screw clamps into a pair of holes in x or in y direction. Use two M10 twenty clamps for truss mounting (product code MFX3103).



-
- 4 Mount the clamps firmly on a truss.

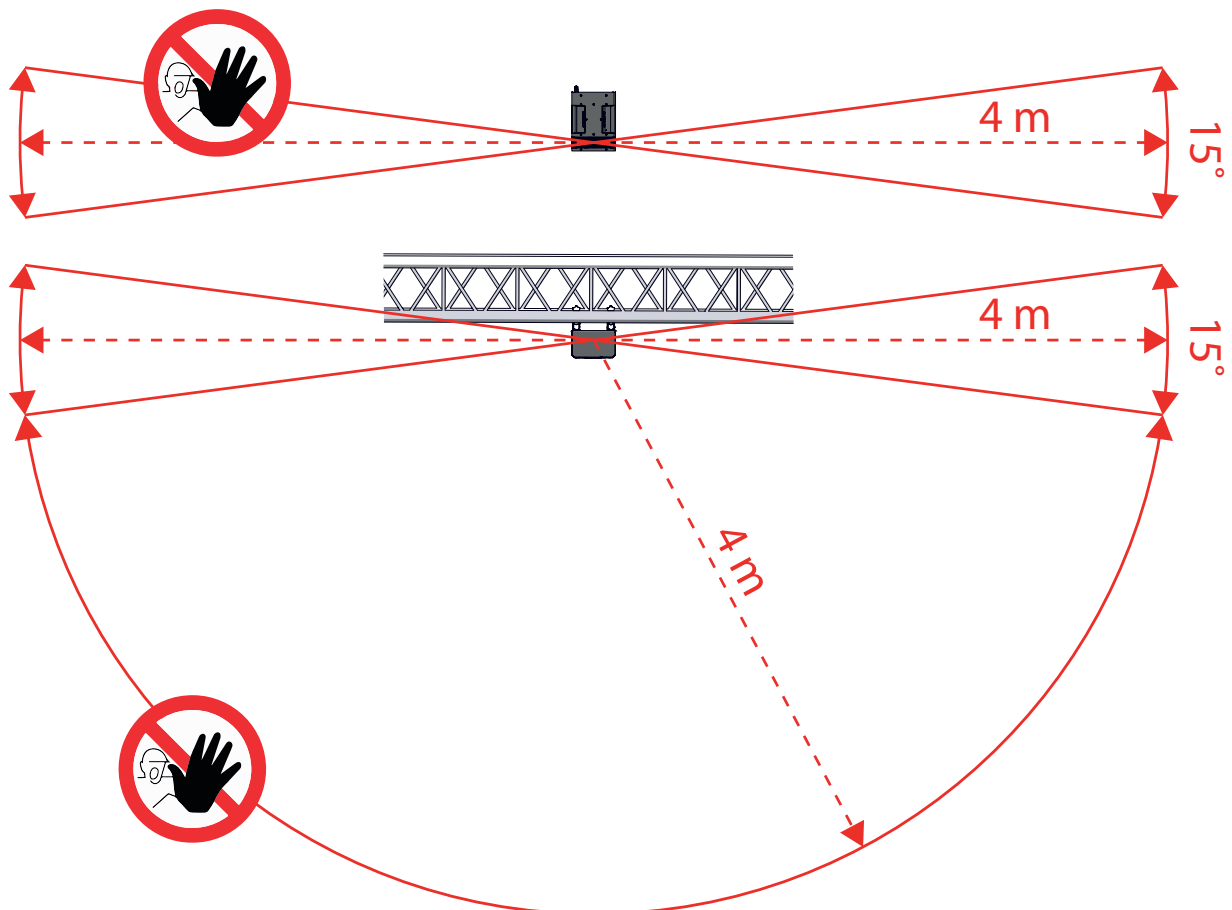


-
- 5 Secure the MAGICFX® PSYCO2JET onto the truss with use of the safety eye.



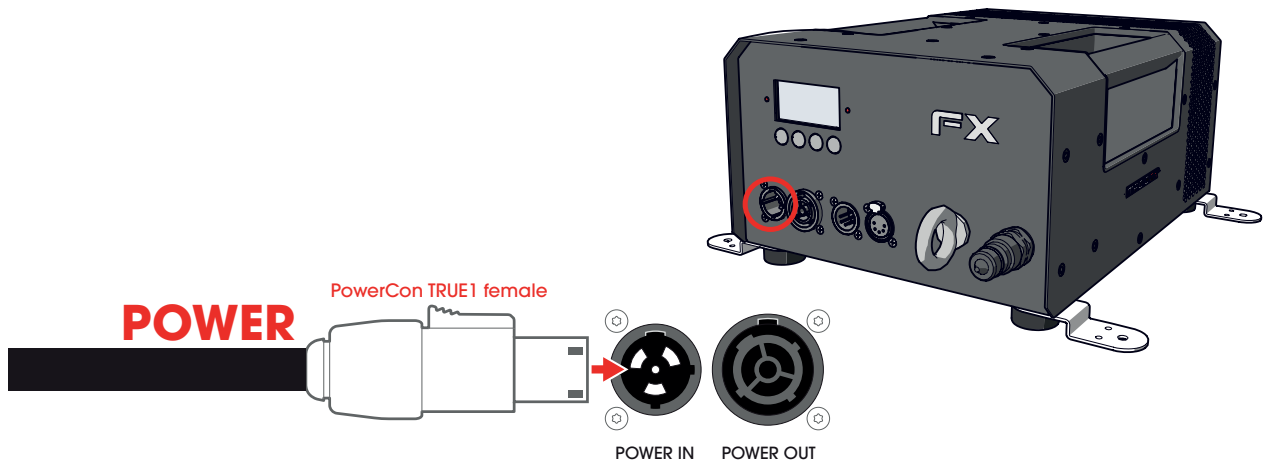
-
- 6 Inspect if the MAGICFX® PSYCO2JET is mounted firmly and secured correctly.

-
- 7 a) Create a safety zone in the direction of the output of the MAGICFX® PSYCO2JET as shown in the following figure.
b) Make sure that the direct output will be free from persons and animals.
c) Make sure there are no freestanding objects or objects that can be damaged by the MAGICFX® PSYCO2JET within the output distance.

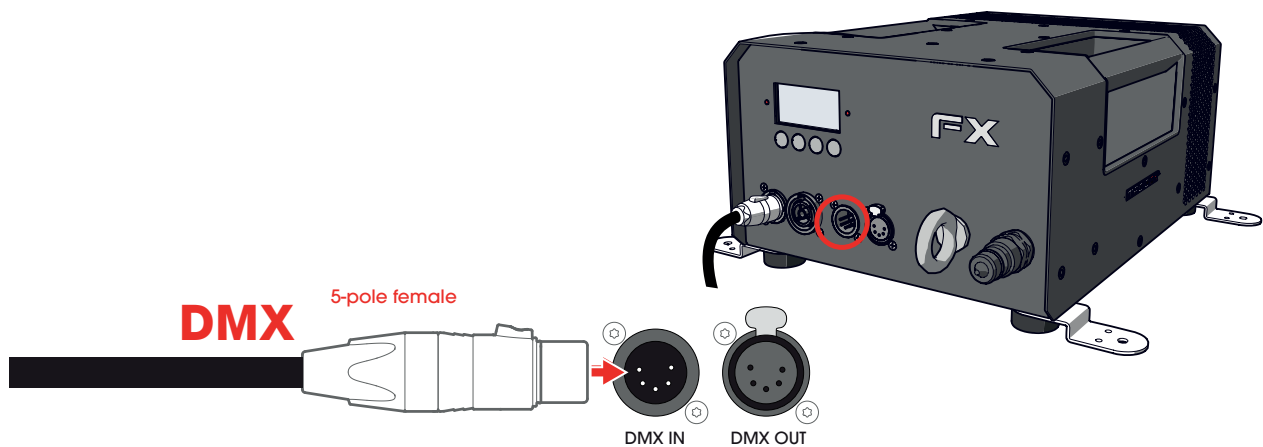


3.3 CONNECT DMX AND POWER

1. Connect a power cable with a Powercon TRUE1 Female connector to the power input.



2. Connect the other end of the power cable to a 100-250 Vac (50-60Hz) power source.
3. Connect the female connector of a 5-pole DMX cable in the DMX input.



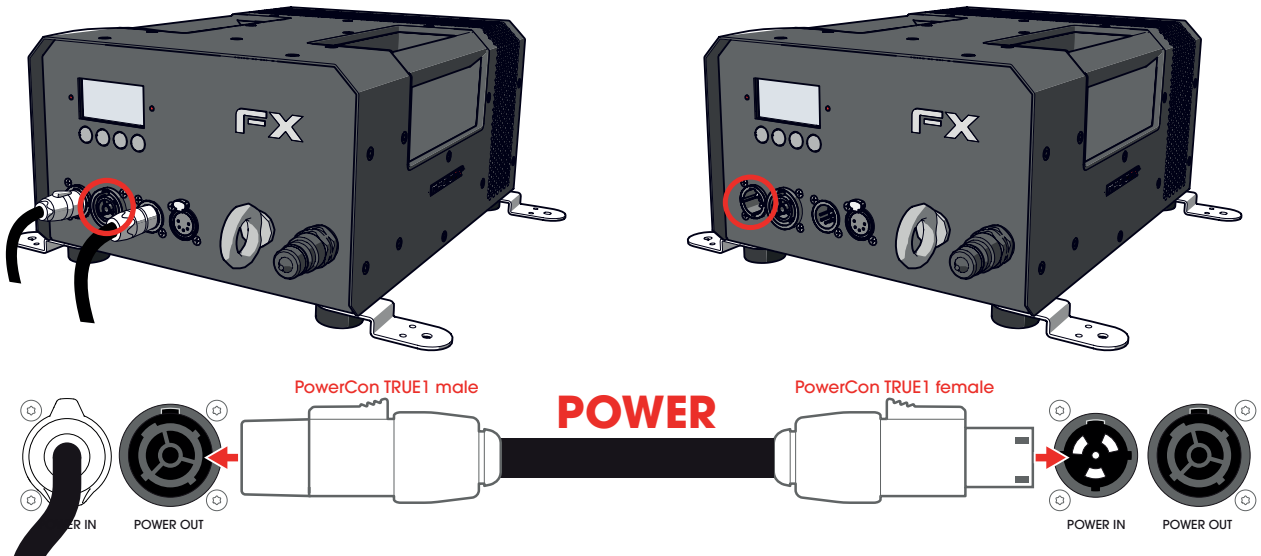
4. Connect the other end of the DMX cable to your DMX controller.
5. Use the display and buttons or a RDM controller to set the machine into RAW or PRESET mode and to assign DMX addresses, see chapter 1.

CAUTION

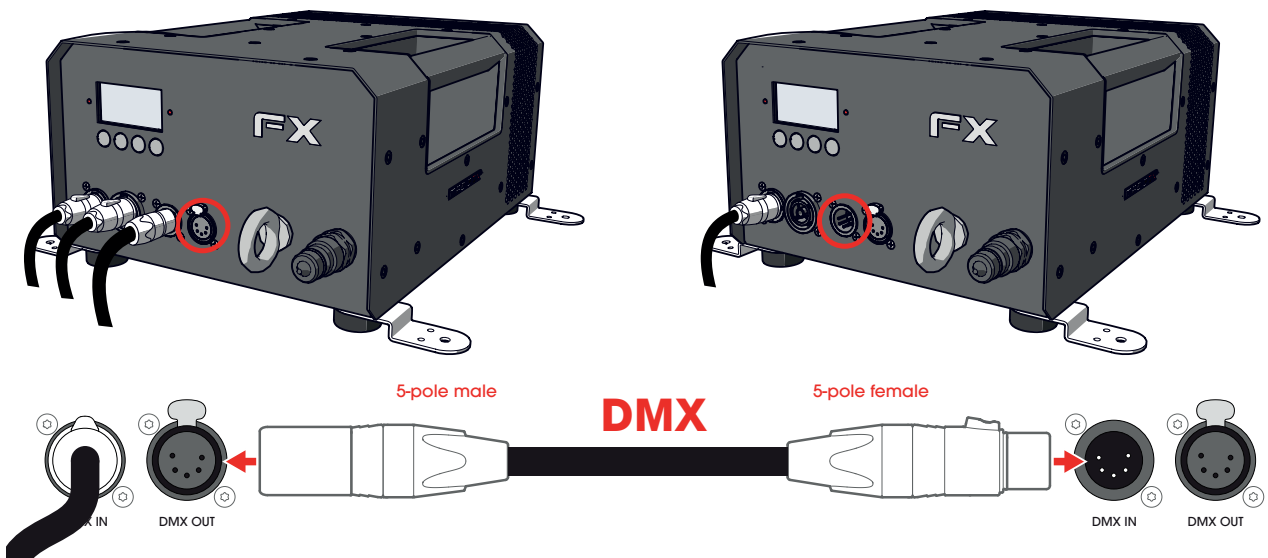
Always plug in a DMX Terminator into the DMX output. Using a DMX Terminator improves signal reliability.

3.4 SETUP MULTIPLE MACHINES IN A SEQUENCE

1. Connect a power link cable to the power output.
2. Connect the other end to the power input of the next machine.



3. Connect a DMX cable to the DMX output.
4. Connect the other end to the DMX input of the next machine.



5. Use the display and buttons or a RDM controller to set the machine into RAW or PRESET mode and to assign DMX addresses, see chapter 1.
6. Repeat steps 1 to 5 for each subsequent machine.

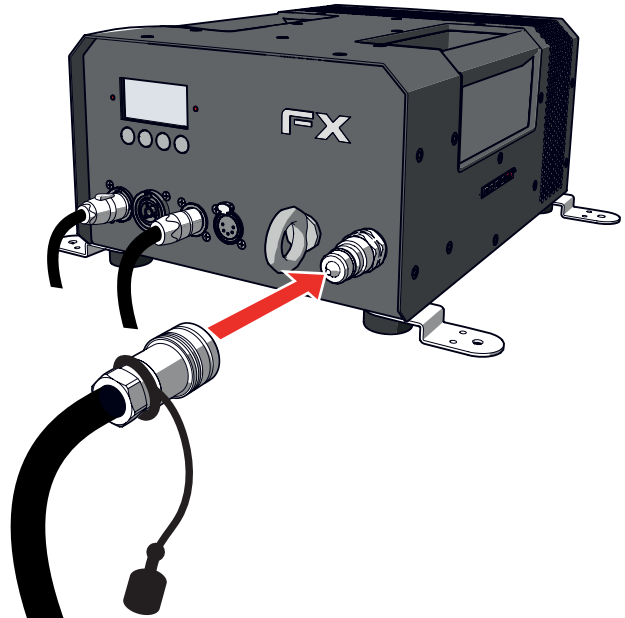
⚠ CAUTION

Always plug in a DMX Terminator into the DMX output of the final unit in the control sequence. Using a DMX Terminator improves signal reliability.

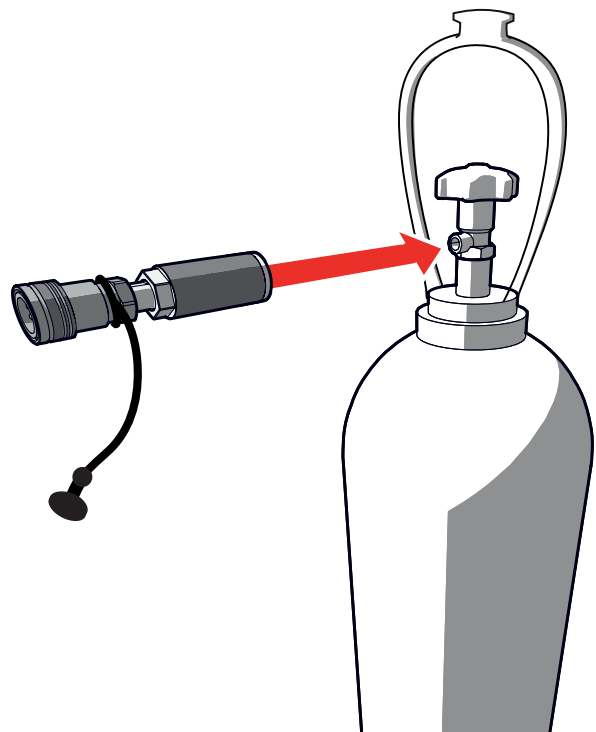
3.5 CONNECT CO₂

- 1 Make sure that the safety channel is deactivated (FX LED indicator on each machine is dimmed).
-

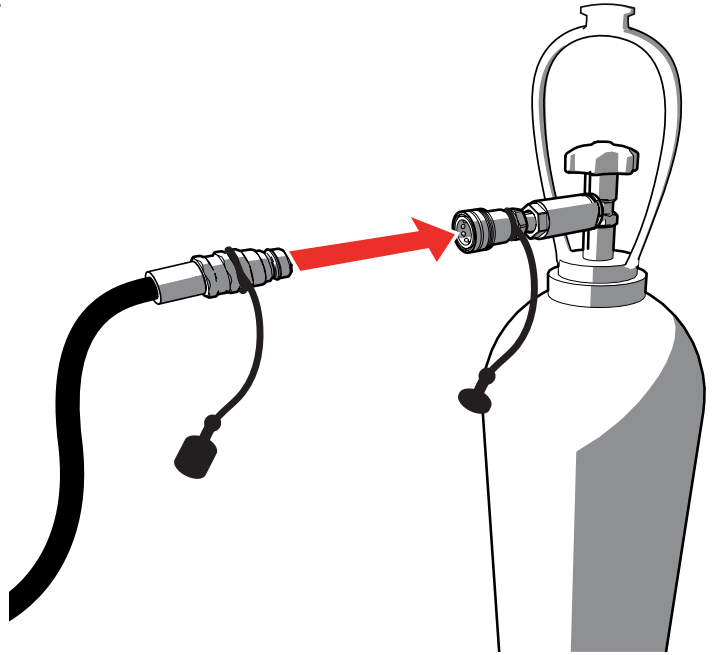
- 2 Connect the CO₂ hose to the CO₂ quick connector.



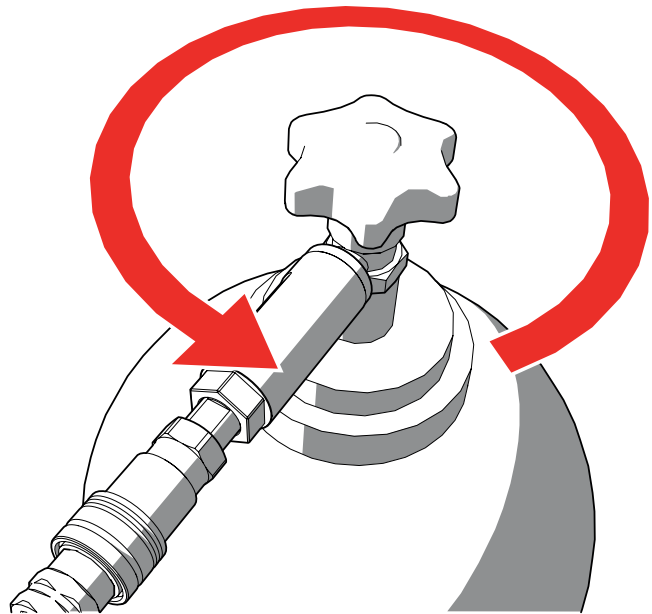
- 3 Connect a CO₂ bottle-to-hose connector to a CO₂ cylinder.



-
- 4** Connect the CO₂ hose to the CO₂ bottle-to-hose connector on the CO₂ cylinder.



-
- 5** Open the CO₂ cylinder.



-
- 6** In case of multiple machines: Repeat steps 1-5 for each machine.
-

3.6 BLAST WITH DMX

1. Make sure there are no persons, freestanding objects or objects that can be damaged by the MAGICFX® PSYCO2JET within the output distance.
 2. Activate the Safety address. The FX LED indicator on each machine lights up.
 3. When it's time to blast, activate the necessary operational addresses, see Chapter 1.
 4. Enjoy the view!
-

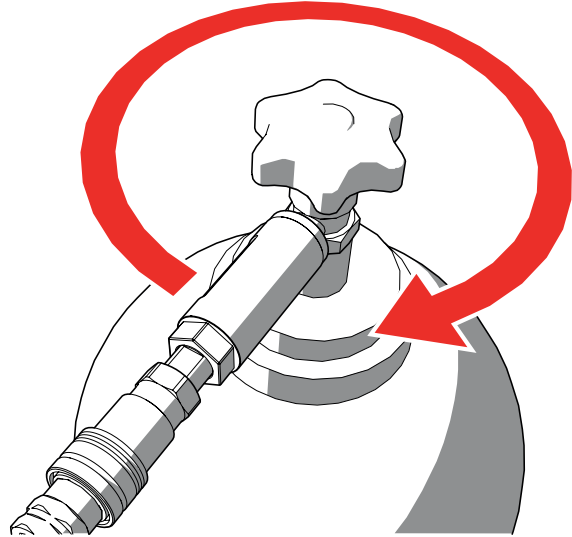


-
5. When you are done with blasting, deactivate the operational addresses.
 6. Deactivate the Safety address.

3.7 REPLACE A CO₂ CYLINDER

1 Make sure the safety address is not activated (FX LED indicator on each machine is dimmed).

2 Close the CO₂ cylinder. In case of multiple machines, connected in series: Close all CO₂ cylinders.



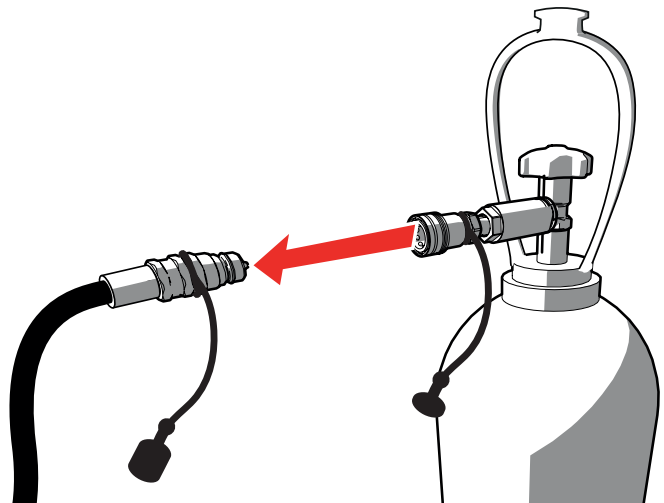
3 Activate the Safety address again. The FX LED indicator on each connected machine lights up.

4 Activate the Start address for CO₂ output to release the pressure from the system.

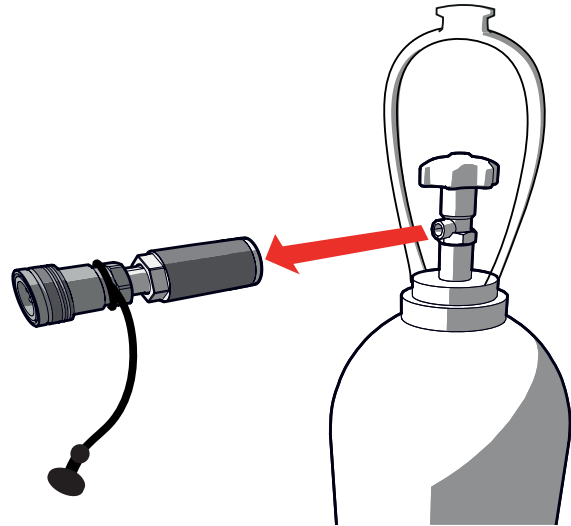
5 Deactivate all operational addresses.

6 Deactivate the Safety address.

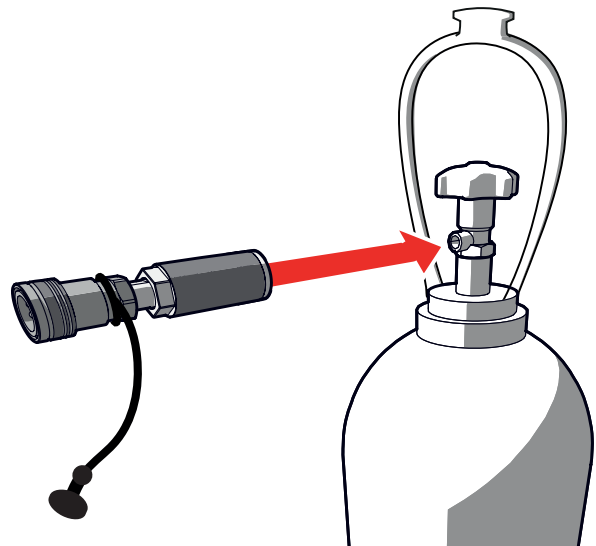
7 Disconnect the CO₂ hose from the CO₂ bottle-to-hose connector on the CO₂ cylinder that you want to replace.



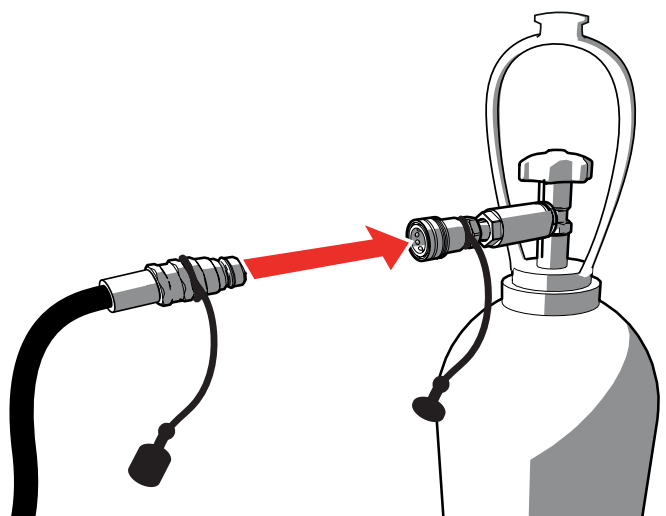
-
- 8** Remove the CO₂ bottle-to-hose connector from the cylinder.



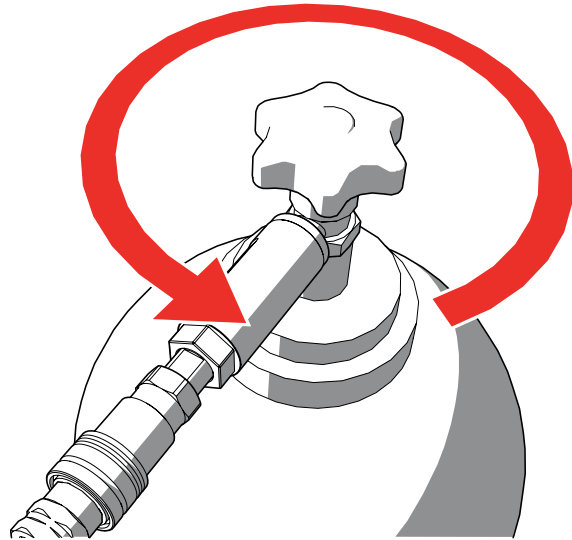
-
- 9** Connect a CO₂ bottle-to-hose connector to a new CO₂ cylinder.



-
- 10** Connect the CO₂ hose to the CO₂ bottle-to-hose connector on the new CO₂ cylinder.



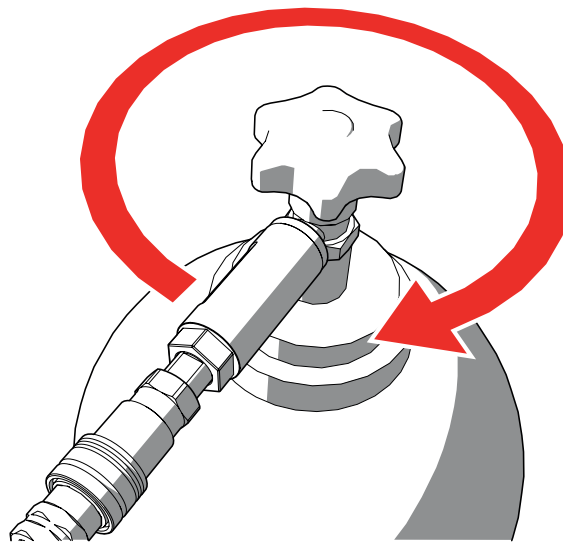
11 Open the CO₂ cylinder.



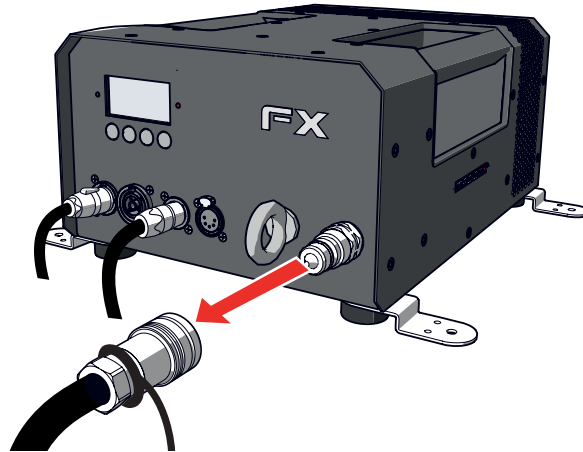
12 In case of multiple machines: Repeat step 7-11 for each cylinder that you need to replace.

3.8 CLEAN UP

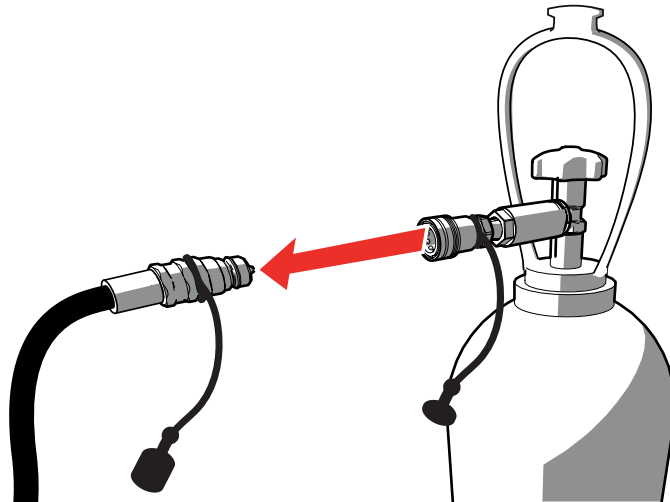
- 1.** Make sure the safety address is not activated (FX LED indicator on each machine is dimmed).
- 2.** Close the CO₂ cylinder. In case of multiple machines, connected in series: Close all CO₂ cylinders.



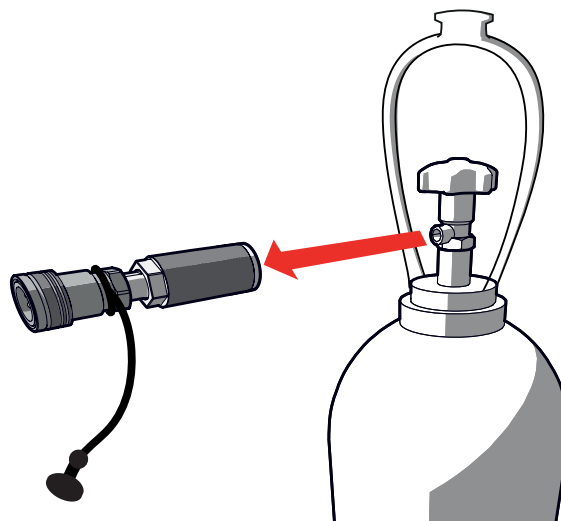
- 3.** Activate the Safety address again. The FX LED indicator on each connected machine lights up.
- 4.** Activate the Start address for CO₂ output to release the pressure from the system.
- 5.** Deactivate all operational addresses.
- 6.** Deactivate the Safety address.
- 7.** Disconnect the CO₂ hose from the CO₂ quick connector on the machine.



8. Disconnect the CO₂ hose from the CO₂ bottle-to-hose connector on the CO₂ cylinder.



9. Remove the CO₂ bottle-to-hose connector from the cylinder.



10. Disconnect DMX cable(s) and power cable(s).

11. Dismount the machine.

4 MAINTENANCE

To achieve the maximum service life of the MAGICFX® PSYCO2JET you must regularly clean the MAGICFX® PSYCO2JET and test if it is functioning correctly.

Contact MAGIC FX if the MAGICFX® PSYCO2JET is not functioning correctly.

⚠ DANGER

Do not replace parts yourself; always consult MAGIC FX if necessary.

5 TROUBLESHOOTING

Always contact MAGIC FX if any malfunctions or errors occur that cannot be solved with the instructions as described in this manual.

6 CORRECT DISPOSAL



This symbol on the product and / or accompanying documents means that used electrical and electronic products should not be mixed with general household waste. For proper treatment, recovery and recycling, please take this product to designated collection points where it will be accepted free of charge.

Alternatively, in some countries you may be able to return your products to your local retailer upon purchase of an equivalent new product.

Disposing of this product correctly will help save valuable resources and prevent any potential negative effects on human health and the environment, which could otherwise arise from inappropriate waste handling.

Please contact your local authority for further details of your nearest designated collection point.

Penalties may be applicable for incorrect disposal of this waste, in accordance with your national legislation.

7 EC DECLARATION OF CONFORMITY

According to Annex III A Low Voltage Directive 2014/35/EU + Machinery Directive 2006/42/EC

MAGIC FX B.V. declares as manufacturer and composer of the technical construction file that the product with the following specifications:

Name machine : PSYCO₂JET
Type : MFX1117
Voltage : 100-250Vac 50-60Hz
Serial number : on product
Year of construction : on product

Is in conformity with the minimal safety regulations as stated in the following directive(s):

- EMC (2014/30/EC) ElectroMagnetic Compatibility
- RoHS (2011/65/EU) Restriction of the use of certain Hazardous Substances
- WEEE (2012/19/EU) Waste Electrical & Electronic Equipment

The following harmonized standards were applied:

- NEN-EN-ISO 12100:2010 Safety of machinery - General principles for design - Risk assessment and risk reduction.
- NEN-EN-IEC 60204-1:2006, Safety of machinery - Electrical equipment of machines - Part 1: General requirements.
- NEN-EN-IEC 61000-6-3:2007/A1:2011, Electromagnetic compatibility (EMC) - Part 6-3: Generic standards - Emission standard for residential, commercial and light-industrial environments.

- Original declaration of conformity
 Translation of the original declaration of conformity

Name manufacturer : MAGIC FX BV
Address : Schouwrooij 27, 5281 RE BOXTEL
Country : The Netherlands

CEO : B. Veroude
Date : 17-01-2017

Signature :



MAGIC FX B.V.

Schouwrooij 27
NL-5281 RE BOXTEL
The Netherlands
T. +31(0)411 63 50 13
F. +31(0)411 63 50 12
E. info@magicfx.eu

Chamber of commerce : 17178664
V.A.T. : NL814544228B01