

USER AND INSTALLATION MANUAL

MAG:CFX®

ENGLISH

/STADIUMSHOT III.®



CONFETTI & STREAMER FX

PART01839

rev 01-01

DISCLAIMER

⚠ WARNING

Read this manual carefully before installing and/or using this product. Failure to read the manual and to follow the printed instructions may lead to personal injury and/or damage to the product.

© 2020 MAGICFX®
All rights reserved.

Nothing from this publication may be copied, reproduced and/or published by means of printing, photocopying or by any other means, without the prior written approval of MAGIC FX.

MAGIC FX reserves the right to modify specifications stated in this manual.

TRADEMARKS

Any brand names mentioned in this manual are registered trademarks of their respective owners.

LIABILITY

MAGIC FX accepts no liability for claims from third parties arising from unauthorised use, use other than that stated in this manual, and use other than in accordance with the General Conditions registered at the Chamber of Commerce.

We further refer to the General Conditions. These are available on request, free of charge.

Although considerable care has been taken to ensure a correct and comprehensive description of all relevant components, the manual may nonetheless contain errors and inaccuracies.

Should you detect any errors or inaccuracies in the manual, we would be grateful if you would inform us. This helps us to further improve our documentation.

TABLE OF CONTENTS

Disclaimer	2
Trademarks	2
Liability	2
Foreword	4
Language	4
Revision table	4
1 Meet the MAGICFX® STADIUMSHOT III!	5
1.1 Main parts	6
1.2 Technical data	7
1.3 Product Identification	7
1.4 DMX control	8
1.5 Display panel	8
1.6 RDM capability	11
1.7 Accessories	12
1.8 Input & Output	13
2 Shoot safely!	14
2.1 General safety rules	14
2.2 Transport	14
2.3 Compressed air	15
2.4 Outdoor use	15
2.5 Rigging	15
2.6 Noise level	15
2.7 Safety symbols	16
2.8 Precautions for operation	16
3 Let's shoot!	18
3.1 Install the machine	18
3.2 Connect the machine	24
3.3 Setup multiple machines in a sequence	26
3.4 Fill with confetti and/or streamers	27
3.5 Fill with pressurized air	28
3.6 Shoot with DMX or pyro	29
3.7 Clean up	31
4 Maintenance	34
4.1 Cleaning	34
4.2 Replace the air-in filter	35
5 Troubleshooting	37
6 Correct disposal	38
7 EC Declaration of Conformity	39

FOREWORD

Congratulations! You have bought a great new product from MAGIC FX.

This manual contains all information required for the intended use of the equipment. Deviation from the described intended use can result in a hazardous situation and/or property damage.

This manual includes notes and warnings on safe operation of the equipment. These notes and warnings are accompanied by the following icons. Read them attentively!

⚠ DANGER

Indicates a hazardous situation that, if not avoided, will result in death or serious injury. This signal word is to be limited to the most extreme situations.

⚠ WARNING

Indicates a hazardous situation that, if not avoided, could result in death or serious injury.

⚠ CAUTION

Indicates a hazardous situation that, if not avoided, could result in minor or moderate injury.

NOTICE

Indicates information considered important, but not hazard-related (e.g. messages relating to property damage).

LANGUAGE

This document contains the original instructions in English. In case you require other languages please contact MAGIC FX.

REVISION TABLE

Doc nr	Revision	Date	Description	Author	Approved
PART01839	01-00	05-03-2020	Initial release	CSK	PVDW
PART01839	01-01	02-10-2020	Accessories	NvE	LL

1 MEET THE MAGICFX® STADIUMSHOT III!

The MAGICFX® STADIUMSHOT III is a special effects machine that shoots confetti or streamers into the air. The MAGICFX® STADIUMSHOT III is intended for outdoor use. At the desired moment the air flows from the tank via the barrel out of the machine. This results in the confetti or streamers leaving the output pipe at high velocity into the air up to 40 metres far*.

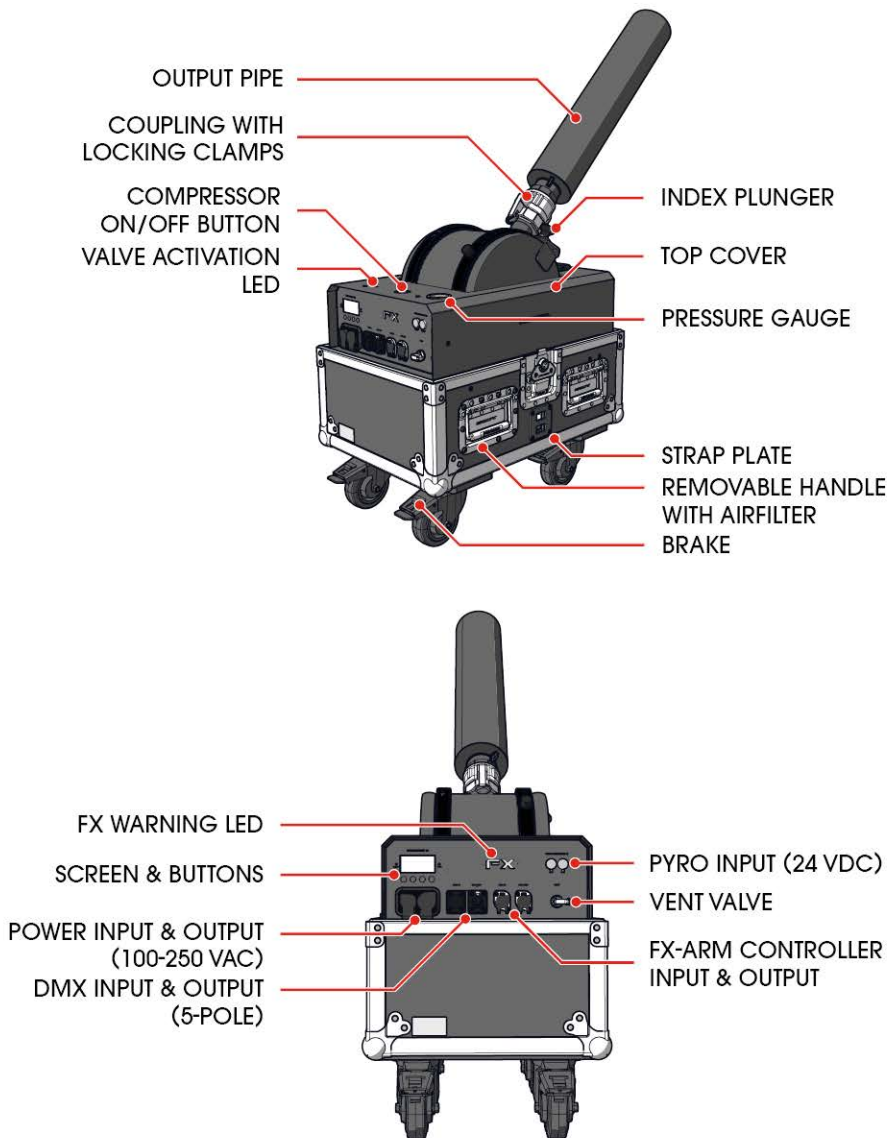
The machine is equipped with an onboard compressor to pressurize the air tank. The pressure can be set via the machine's display to accommodate different venues. When the machine is loaded with MAGICFX® CONFETTI or STREAMERS, a single push on the physical button on the MAGICFX® STADIUMSHOT III will charge the air tank to the set pressure, and maintain the pressure at the set value until the shot is fired. If for any reason the pressure drops, and cannot be compensated, the system will block the shot for safety reasons.

* The output distance depends on input material, air pressure and environmental conditions.

The MAGICFX® STADIUMSHOT III is outfitted for operation:

- with DMX and RDM;
- with an external low voltage pyro controller input (24 V);
- with a safety arm system;
- in sequence with multiple machines.

1.1 MAIN PARTS



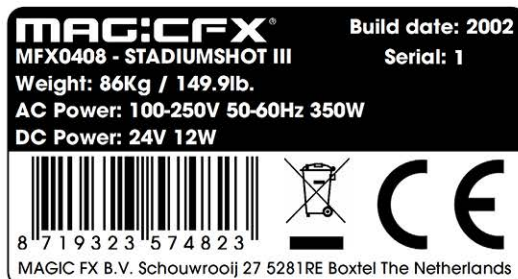
Main parts

1.2 TECHNICAL DATA

Product	Product Name	MAGICFX® STADIUMSHOT III	
	Product Code	MFX0408	
	Product Type	CONFETTI & STREAMER FX	
Main Dimensions	Length	600 mm	23.6 in
	Width	400 mm	15.8 in
	Height	870 mm	34.3 in
Weight	Weight	86 kg	189.6 lb
Environment	Minimum Temperature	-10 °C	14 °F
	Maximum Temperature	70 °C	158 °F
	Humidity (Relative)	20 % to 90 % (non condensing)	
Electrical	Voltage Input (Vac)	100 – 250 Vac	
	Voltage Frequency	50 – 60 Hz	
	Power Consumption (Vac)	350 W	
	Power Connector (Vac)	Neutrik® powerCON TRUE1 (in & out)	
Controlling	Control Options	DMX / 24 Vdc	
	Control Protocols	DMX512-A (ANSI E1.11) RDM (ANSI E1.20)	
	Control Connectors	Neutrik® 5-pole male / female XLR / 4 mm banana socket	
Safety controlling	Control Connectors	Neutrik® male / female etherCON	
Configuring	Configure Options	On Device & RDM	
Pressure tank	Maximum Pressure	8 bar	116 psi
	Volume	10.9 L	2.9 gal
Usage	Consumable(s)	MAGICFX® CONFETTI & STREAMERS	

Technical data

1.3 PRODUCT IDENTIFICATION



Type plate

1.4 DMX CONTROL

The MAGICFX® STADIUMSHOT III is controlled with 1 enable address and 1 operational address.

DMX Address	Address range
Enable address	1 - 512
Start address (Trigger)	1 - 512

DMX addresses

The enable address cannot be the same as the operational address. Operating of these addresses results in the following:

DMX Address	DMX Value (decimal)	Result	
	0	99	Device disabled
Enable address	100	154	Device enabled
	155	255	Device disabled
Start address (Trigger)	0	199	No output
	200	255	Fire

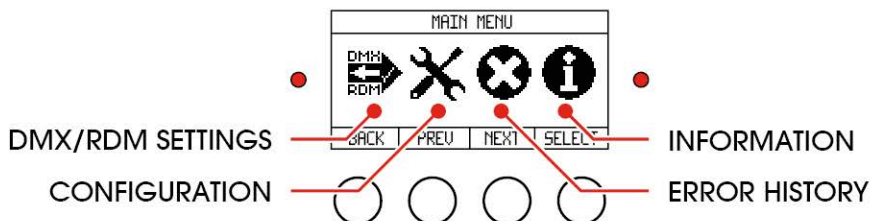
Operation of the DMX addresses

When you link multiple machines with DMX, we advise you to use the same enable address for all machines.

⚠ CAUTION

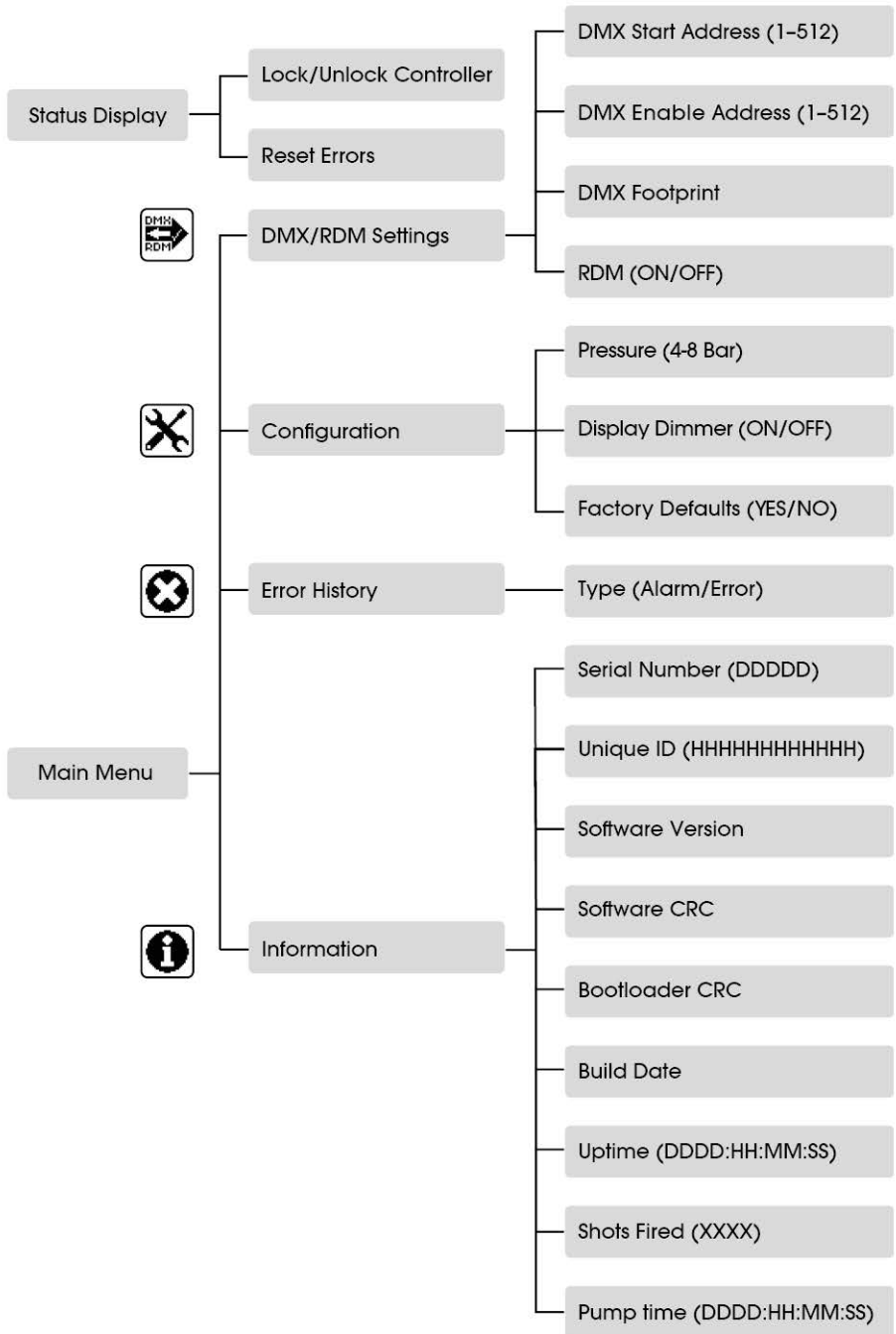
Always plug in a DMX Terminator into the DMX output of the final unit in the control sequence. Using a DMX Terminator improves signal reliability.

1.5 DISPLAY PANEL



Display panel

The display panel is located on the backside of the MAGICFX® STADIUMSHOT III. Check the following menu structure for all options in the menu. Use the buttons for navigation and selection. The left-hand LED blinks red when DMX is active. The right-hand LED continuously lights red when an error is present.



Menu function	Explanation
Lock/Unlock Controller	Holding the Lock button for more than 5 seconds will “lock” the display functions. Meaning buttons will not respond. This to avoid accidental change of parameters via display.To unlock, hold the Unlock button for more than 5 seconds.
Reset Errors	In case there is a locking error present, this button will reset the appliance. If the fault does not persist, the locking error will not reappear.
DMX Start Address (1-512)	Setting the DMX start address. DMX Enable Address (1-512) Setting the DMX Enable Address. DMX Footprint This parameter indicates the DMX footprint, in other words the amount of sequential channels used by the appliance. This does not include the enable channel.
RDM (On/Off)	Use this function to turn on/off the RDM functionality.
Pressure (4-8 Bar)	Use this function to set the pressure between 4 and 8 bar.
Pyro Input Control (On/Off)	Use this function to switch between the powered control modes DMX and pyro.
Display Dimmer (On/Off)	Turn display dimmer on or off. If turned on, the display is dimmed automatically 30 seconds after the last button push.
Factory Defaults (Yes/No)	Restores the appliance factory default settings.
Type (Alarm/Error)	Toggle between the occurred locking error (Alarm) list, and blocking error (Error) list. Locking errors need intervention by user, although they are “auto-reset” 3 times before the appliance remains in error until reset by user. Blocking errors clear when the triggering fault disappears. 16 locked, and 16 blocked errors are logged. Top of the list shows the last occurring error.
Serial Number (DDDDD)	Appliance serial number as also printed on the appliance label.
Unique ID (HHHHHHHHHH)	UID number as the appliance appears in the RDM device list after running discovery.
Software Version	Installed software version.
Software CRC	CRC of the functional software.
Bootloader CRC	CRC of the bootloader software.
Build Date	Release date of functional software.
Up-Time (DDDD:HH:MM:SS)	Time counter which indicates how long the appliance has been powered in total.
Shots Fired	Number of shots fired with DMX.
Pump Time (DDDD:HH:MM:SS)	Time counter which indicates how long the pump has been on in total.

Menu functions

1.6 RDM CAPABILITY

Remote Device Management Protocol (RDM) is an enhancement of the DMX512 communication protocol. RDM can be used for configuration and status monitoring while DMX512 takes care of the default controlling. For RDM you will need a RDM compatible controller. The following RDM parameters are supported by the MAGICFX® STADIUMSHOT III.

Parameter ID	Discovery	GET	SET
DISC_UNIQUE_BRANCH	X		
DISC_MUTE	X		
DISC_UN_MUTE	X		
DEVICE_INFO		X	
SUPPORTED_PARAMETERS		X	
SOFTWARE_VERSION_LABEL		X	
DEVICE_MODEL_DESCRIPTION		X	
MANUFACTURER_LABEL		X	
SLOT_DESCRIPTION		X	
SENSOR_DEFINITION		X	
SENSOR_VALUE		X	
DMX_START_ADDRESS		X	X
IDENTIFY_DEVICE		X	X
DEVICE_LABEL		X	X
FACTORY_DEFAULTS		X	X
RESET_DEVICE			X

RDM parameters

RDM parameters are subject of change due to software updates. Contact MAGIC FX for the latest information and updates.

1.7 ACCESSORIES

Code	Product	Included
MFx0404	COMPRESSION CAPS TAPE 50 m X 50 mm	
MFx0407	25 CAPS + 25 CORES FOR MAGICFX® STADIUMSHOT	
MFx0423	STADIUMSHOT III SECURE STRAP	
MFx0424	STADIUMSHOT III RAIN COVER	
MFx3220	MAGICFX® FX-ARM CONTROLLER	
MFx0313	Schuko to Neutrik® powerCON TRUE1 - cable 1.5 m	

Accessories

Please contact MAGIC FX for additional possibilities.

MAIN PARTS MAGICFX® FX-ARM CONTROLLER



Main parts MAGICFX® FX-ARM CONTROLLER

NOTICE

Without the MAGICFX® FX-ARM CONTROLLER it is not possible to operate the MAGICFX® STADIUMSHOT III.

1.8 INPUT & OUTPUT

The output pipe has a payload of 5 litres and can be filled with MAGICFX® confetti or streamers. The maximum load per shot depends on the type of input material. The output distance depends on the type of input material and the load.

Consumable	Amount	Max. Output distance		Min. Pressure	
MAGICFX® PAPER CONFETTI	2 kg	20 m	66 ft	4 bar	58 psi
MAGICFX® METALLIC CONFETTI	3 kg	20 m	66 ft	4 bar	58 psi
MAGICFX® STREAMERS 20 m x 5 cm	8 Polybags	40 m	131 ft	8 bar	116 psi
MAGICFX® STREAMERS 20 m x 2.5 cm	9 Polybags	40 m	131 ft	8 bar	116 psi
MAGICFX® STREAMERS 10 m x 5 cm	15 Polybags	35 m	115 ft	8 bar	116 psi
MAGICFX® STREAMERS 10 m x 2.5 cm	18 Polybags	35 m	115 ft	8 bar	116 psi
MAGICFX® STREAMERS 10 m x 1.5 cm	20 Polybags	35 m	115 ft	8 bar	116 psi

Projectile types and related loads and output

⚠ WARNING

Always shoot streamers at a minimum of 8 bar pressure to unfold them completely. Shooting streamers at a lower pressure can lead to death or serious injury.

⚠ WARNING

Using any other objects other than MAGICFX® CONFETTI or STREAMERS or other approved MAGICFX® consumables can lead to death or serious injury.

NOTICE

Wind and other weather circumstances will influence the output distance. The given values are estimated values.

2 SHOOT SAFELY!

The machine has been designed and constructed in such a manner that it can be used safely. This applies to the use, the circumstances and the regulations as described in this documentation. Reading this documentation and following the instructions are therefore necessary for everyone who is authorised to work with the machine.

The machine must be used in surroundings that:

- Have a stable temperature of between -10 and 70 °C.
- Have a relative humidity degree between 20 % and 90 % (non condensing).
- Are free of dust, corrosive gases and high concentrations of organic vapours.
- Are not situated in the vicinity of a source of vibration.

2.1 GENERAL SAFETY RULES

- Only authorised persons may carry out work with the MAGICFX® STADIUMSHOT III.
- Do not use the MAGICFX® STADIUMSHOT III if there are people or animals in the direct output.
- Do not use the MAGICFX® STADIUMSHOT III if alterations have been made other than by or on behalf of MAGICFX®.
- Make sure that children, unauthorised people and animals do not obtain access to the MAGICFX® STADIUMSHOT III.
- Make sure there are no freestanding objects or objects that can be damaged by the machine within the output distance.
- Make sure that streamers and/or confetti cannot come into contact with high-voltage lines/power pylons, as this can result in electrocution.
- Do not connect more units to a single electrical circuit than the installed fuse is able to handle. (Calculate the summed load with the electrical data from Chapter 1)
- Do not remove any safeguards, safety caps and safety symbols.
- All required safety devices must be in good condition and function properly.
- Ensure sufficient lighting of the surroundings.
- Keep the workplace clean.

2.2 TRANSPORT

- Check the pressure level on the tank pressure meter before every transport. If necessary depressurize the system by opening the vent valve.

⚠ WARNING

Do not transport or move the MAGICFX® STADIUMSHOT III when the tank is pressurized. Transporting or moving the machine when pressurized can result in death or serious injury.

2.3 COMPRESSED AIR

- If an external air source is used, always use an inspected and certified professional compressor with an air output of maximum 8 bar to fill the tank. Carefully read the manual of the compressor before use.
- Never leave the tank pressurized for more than 15 minutes.
- The machine is equipped with a pressure relief valve that automatically depressurizes the system when the maximum allowed pressure of 8 bar is exceeded. Nevertheless regularly check the tank pressure meter to make sure the pressure in the tank is stable and does not exceed 8 bar. If necessary depressurize the system by opening the ventilation valve.

2.4 OUTDOOR USE

The MAGICFX® STADIUMSHOT III is designed for outdoor use only.

⚠ WARNING

Do not use the MAGICFX® STADIUMSHOT III indoors. Using the MAGICFX® STADIUMSHOT III indoors can result in death or serious injury.



2.5 RIGGING

Please follow the European and national guidelines for safe rigging and trussing.

2.6 NOISE LEVEL

The environmental noise level as measured at the ear is greater than 70 dB(A). This level of noise is only reached during the short instances that the output is active. Always wear hearing protection when you are within 5 metres of the machine during operation.

2.7 SAFETY SYMBOLS

Symbol	Meaning
	Read the manual carefully before use!
	Wear certified ear protection!

Safety symbols

2.8 PRECAUTIONS FOR OPERATION

⚠ WARNING

Using a damaged or an improper installed machine can lead to death, serious injury or property damage. Always inspect the machine thoroughly before operation.

⚠ WARNING

Unauthorized operation of the machine can lead to death, serious injury or property damage. Never leave the machine and the power switch unattended when the machine is ready for use.

⚠ WARNING

Do not use the MAGICFX® STADIUMSHOT III if alterations have been made other than by or on behalf of MAGICFX®.

⚠ DANGER

Make sure that streamers and/or confetti cannot come into contact with high-voltage lines/power pylons, as this can result in electrocution.

⚠ WARNING

Missing or obscured safety symbols on the machine can lead to death, serious injury or property damage. Make sure all safety symbols are correctly in place and visible, see Section 2.7.

⚠ CAUTION

Always install the output pipe before operating the machine.

⚠ WARNING

Make sure there are no objects near the output that can be damaged or overthrown by the MAGICFX® STADIUMSHOT III.

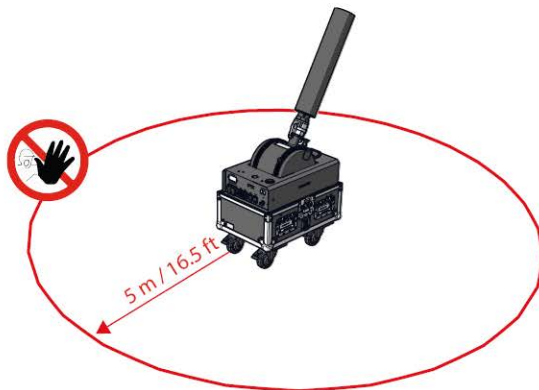
⚠ DANGER

Always keep the output zone as shown in the image below clear of all people, animals and objects. Not doing so results in death or serious injury.



⚠ WARNING

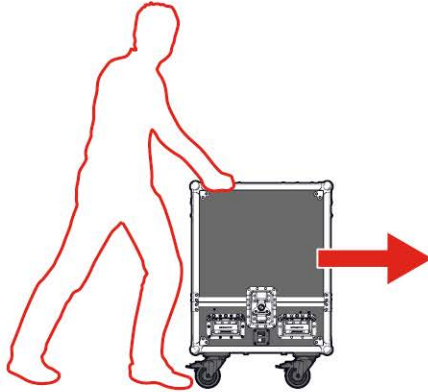
Always create a safety zone around the machine with a radius of 5 meters / 16.5 feet. Make sure unauthorized personnel, animals and objects are clear of this area. Not doing so can result in death or serious injury.



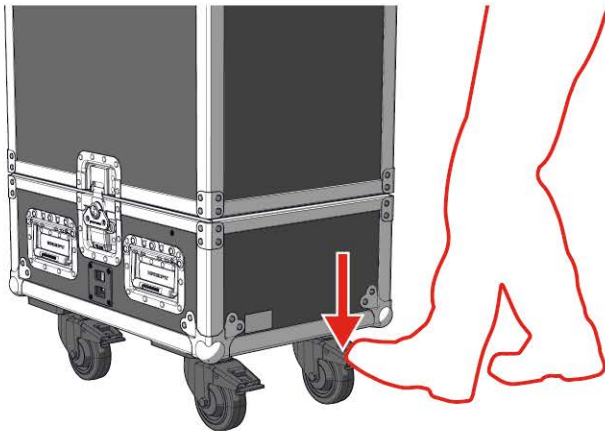
3 LET'S SHOOT!

3.1 INSTALL THE MACHINE

- 1 Bring the cased machine to the desired location.



- 2 Place the machine in its final position and set the brakes.



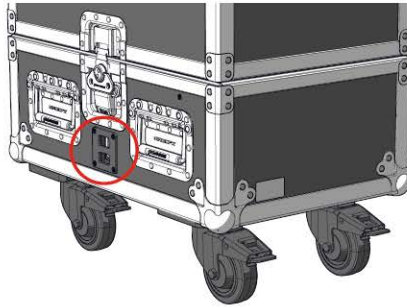
-
- 3 Apply a lashing ratchet to the strap plates on the side of the machine to fixate the machine and prevent it from moving.
-

⚠ WARNING

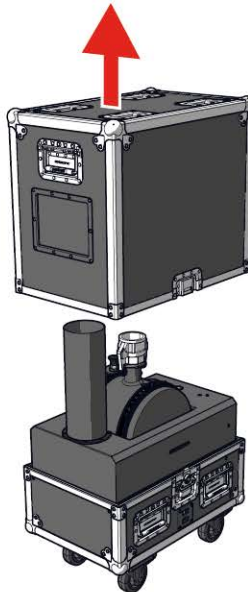
Always make sure to properly fixate the machine on a stable and suited surface. Not doing so can result in death or serious injury.

NOTICE

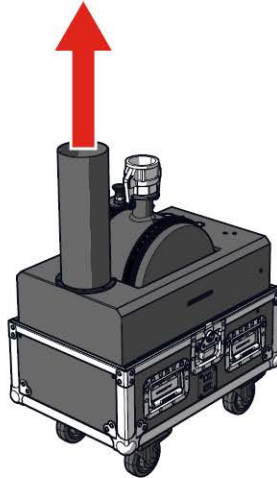
Do not apply more than 100 kg on the strap plate. The flightcase may break down.



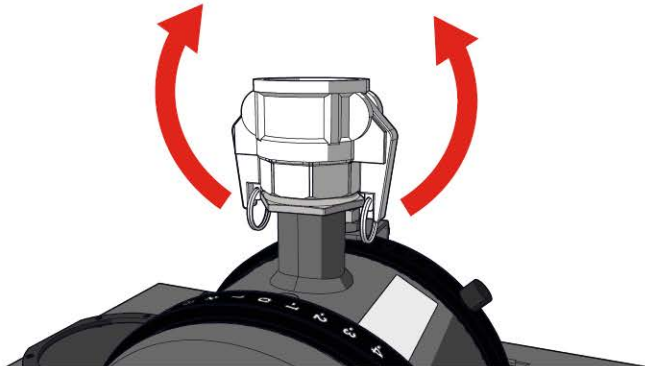
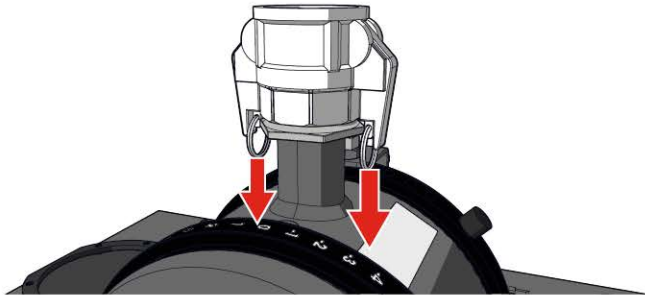
- 4 Unlock and remove the flightcase cover.



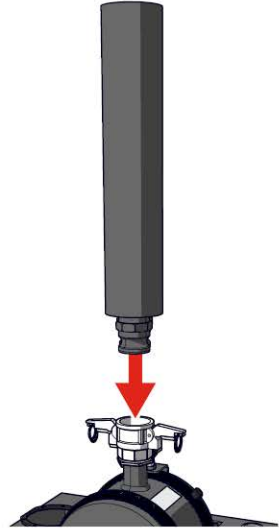
-
- 5 Remove the output pipe.



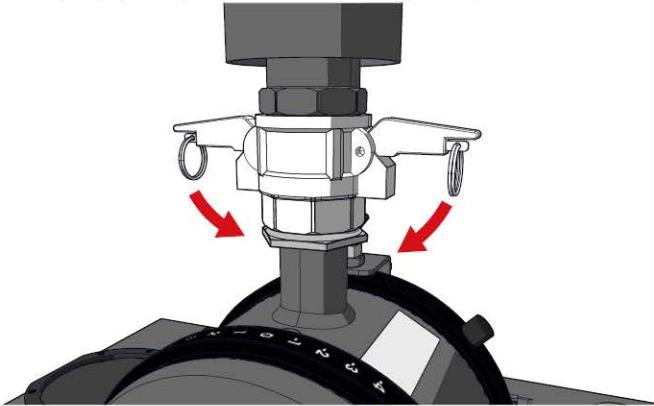
-
- 6 Pull the locking clamps downwards to unlock and rotate them upwards.



-
- 7 Place the output pipe in the coupling while holding the locking clamps upwards.



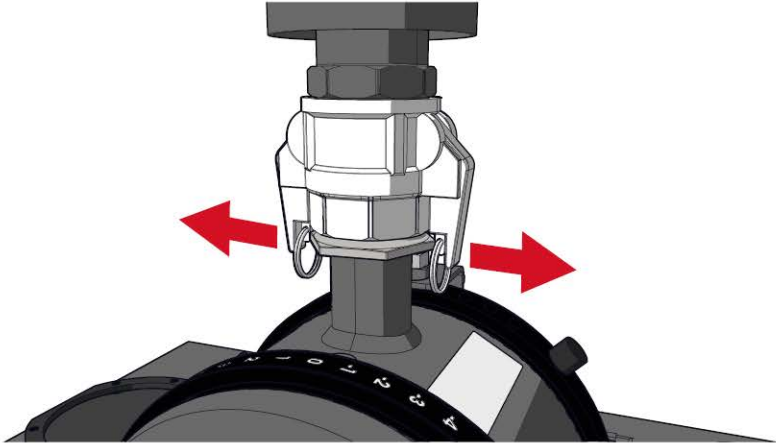
-
- 8 Lock the output pipe in place with the locking clamps.



-
- 9 Pull the clamps outwards to check if the locking pins are properly locked in place. If not: remove the output pipe and repeat step 5 and 6.
-

⚠ WARNING

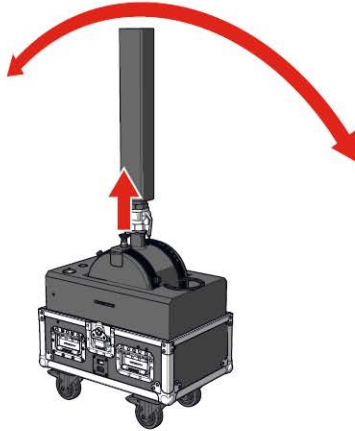
Never use the machine when the clamps are not locked or working properly. Not doing so can result in death or serious injury.



-
- 10** Pull the index plunger and set the tank in the desired position. Make sure the index plunger is properly in place.
-

⚠ WARNING

Never use the machine when the index plunger is not properly in place or working properly. Not doing so can result in serious injury or death.



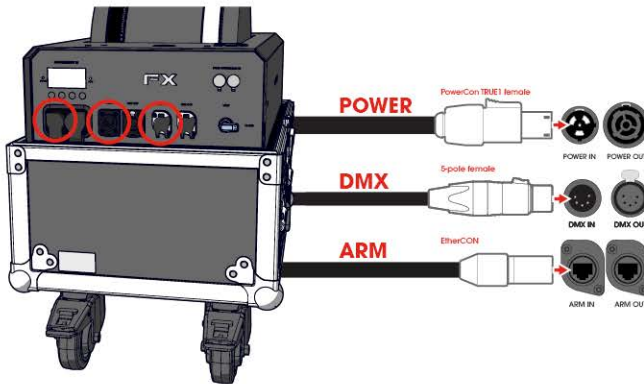
-
- 11** Take the necessary safety precautions, see Section 2.8.
-

3.2 CONNECT THE MACHINE

1 Make sure that the power output on your controller or power switch is disabled.

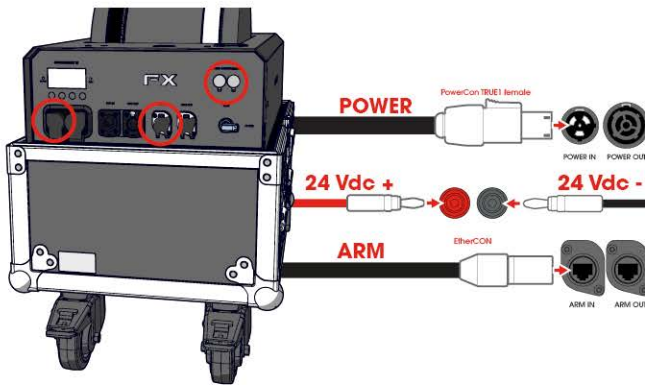
2 If DMX is used, follow the next steps:

1. Connect a power cable with a PowerCon TRUE1 female connector to a 100-250 Vac (50-60 Hz) power source.
2. Connect the other end of the power cable to the power input. The screen will light up.
3. Connect an arm cable to the arm in connector on the machine.
4. Connect the other end of the arm cable to the MAGICFX® FX-ARM CONTROLLER.
5. Connect the female connector of a 5-pole DMX cable in the DMX input.
6. Connect the other end of the DMX cable to the DMX controller.
7. Use the display and buttons or a RDM controller to assign DMX addresses, see Chapter 1.



3 If pyro is used, follow the next steps:

1. Connect a power cable with a PowerCon TRUE1 female connector to a 100-250 Vac (50-60 Hz) power source.
2. Connect the other end of the power cable to the power input. The screen will light up.
3. Connect an arm cable to the arm in connector on the machine.
4. Connect the other end of the arm cable to the MAGICFX® FX-ARM CONTROLLER.
5. Connect the power cables to the 24V in pyro connector.
6. Connect the other end of the power cables to the external low voltage pyro controller (24 V).



⚠ CAUTION

It is possible to fire the machine without connecting the PowerCon TRUE1 female connector. Note that the compressor will not work without connecting power and the warning LED will not light up when enabling the MAGICFX® FX-ARM CONTROLLER. Pressure safety checks will not work and it is possible to shoot confetti and streamers at an unsafe pressure. See Section 1.8.

3.3 SETUP MULTIPLE MACHINES IN A SEQUENCE

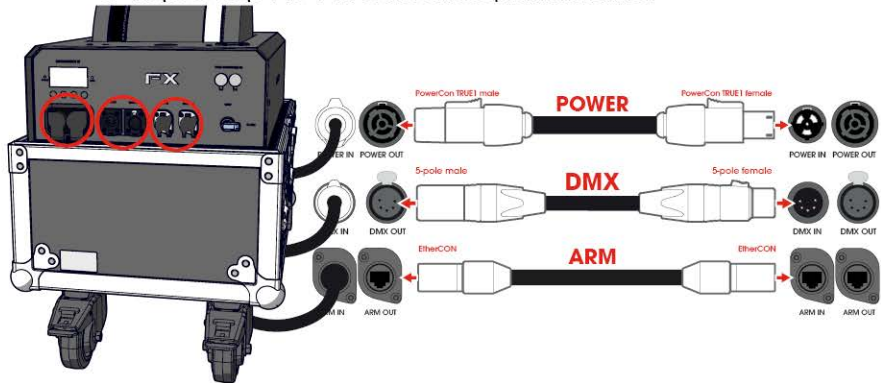
⚠ CAUTION

Do not connect more units to a single electrical circuit than the installed fuse is able to handle. (Calculate the summed load with the electrical data from Chapter 1)

NOTICE

Always plug in a DMX Terminator into the DMX output of the final unit in the control sequence. Using a DMX Terminator improves signal and reliability.

1. Optionally connect another machine to the power output with a power link cable. If DMX is used, follow the next steps:
 1. Connect a power link cable between the power output and the power input of the next machine.
 2. Connect an arm cable between the arm out connector and the arm in connector of the next machine.
 3. Connect a DMX cable between the DMX output and the DMX input of the next machine.
 4. Use the buttons or a RDM controller to assign DMX addresses, see Chapter 1.
 5. Repeat step 1 to 4 for each subsequent machine.



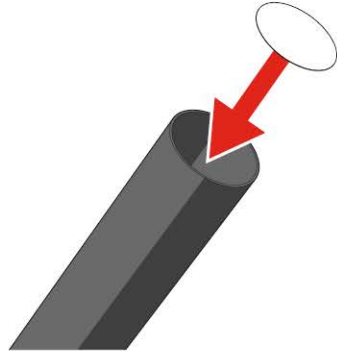
3.4 FILL WITH CONFETTI AND/OR STREAMERS

⚠ WARNING

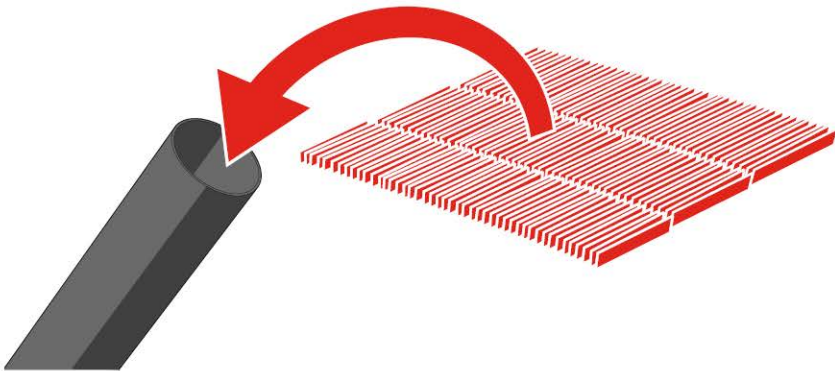
Make sure the vent valve is open and the gauge pressure is 0 bar. Not doing so can result in death or serious injury.

- 1 Place a lifting core in the bottom of the output pipe.

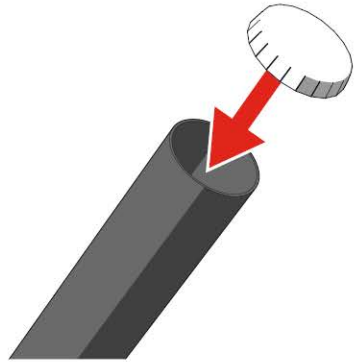
Make sure the lifting core lies flat and closes off the hole in the output pipe!



- 2 Fill the output pipe with confetti and/or streamers. Check Chapter 1 for the maximum amount per approved type of input.



-
- 3 Place a pressure cap on top of the output pipe.



-
- 4 Secure the pressure cap to the output pipe with special pressure cap tape.



3.5 FILL WITH PRESSURIZED AIR

⚠ DANGER

Always keep the shooting direction clear of persons, animals or objects. Not doing so will result in death or serious injury.

⚠ DANGER

Always make sure unauthorized persons, animals or objects are not able to get in front of the shooting direction. Not doing so will result in death or serious injury.

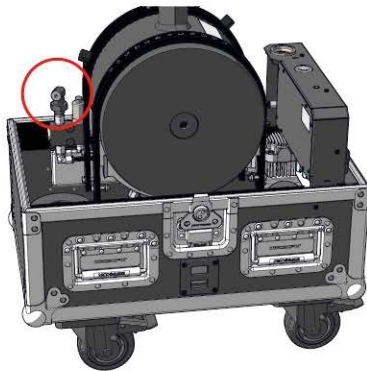
If the internal compressor of the MAGICFX® STADIUMSHOT III is used, follow the next steps:

1. Power the machine.
2. Close the vent valve.
3. Set the desired pressure in the menu, see Section 1.5.

4. Press the compressor on/off button on top of the machine. The compressor on/off button starts blinking.
5. After a maximum of 2.5 minutes, the pressure will be at the maximum pressure of 8 bar. The compressor will automatically stop at the set pressure and the compressor on/off button turns red.

If an external air source is used for the first time, follow the next steps. If an external air source is used when the desired quick connector is installed, follow step 5 only:

1. Remove the top cover, see Section 4.1.
2. Remove the elbow part of the 3-way coupling with an adjustable open-ended spanner.
3. Replace the end plug in the elbow with the desired quick connector suitable for the desired quick connector.
4. Close the top cover, see Section 4.1.
5. Connect the hose from an external air source to the quick coupling. Only use an air source with an air filter with a maximum output of 8 bar.



3.6 SHOOT WITH DMX OR PYRO

⚠ DANGER

Make sure that the described safety zone is clear of people, animals and objects. Not doing so results in death or serious injury.

If DMX is used, follow the next steps:

1. Make sure that the prescribed safety zone is free from persons and objects.
2. If the safety zone is free, arm the system by turning the key clockwise on the MAGICFX® FX-ARM CONTROLLER. The FX LED lights up.
3. Activate the enable address. The FX LED begins to flash.

4. Set the DMX value for the effect channel between 200 and 255 to shoot.
5. Enjoy the view!
6. Turn the enable address and the effect channel back to 0.
7. Disarm the system by turning the key counterclockwise on the MAGICFX® FX-ARM CONTROLLER.

If pyro is used, follow the next steps:

1. Make sure that the prescribed safety zone is free from persons and objects.
2. If the safety zone is free, arm the system by turning the key clockwise on the MAGICFX® FX-ARM CONTROLLER. The FX LED lights up.
3. Activate the pyro controller.
4. Enjoy the view!
5. Deactivate the external low voltage pyro controller (24V).
6. Disarm the system by turning the key counterclockwise on the MAGICFX® FX-ARM CONTROLLER.



In case of emergency or an unexpected unsafe situation, push the emergency button on the MAGICFX® FX-ARM CONTROLLER. The machine is now unable to shoot. To reset the MAGICFX® FX-ARM CONTROLLER, follow the steps below:

1. Turn the key counterclockwise to disarm the system.
1. Twist the e-stop button on the MAGICFX® FX-ARM CONTROLLER clockwise.
2. Push the e-stop reset button on the MAGICFX® FX-ARM CONTROLLER.
3. If DMX is used, set the enable and effect channel back to 0.

The machine is ready to be used again.

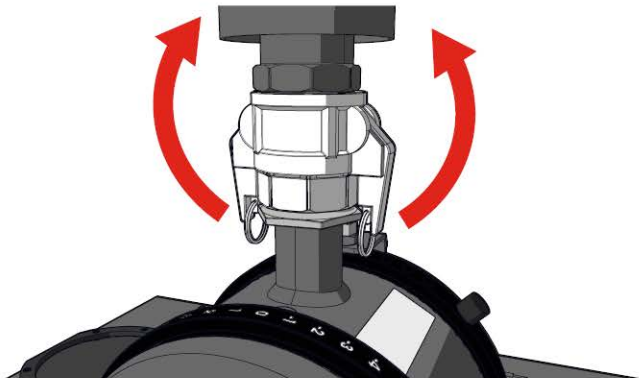
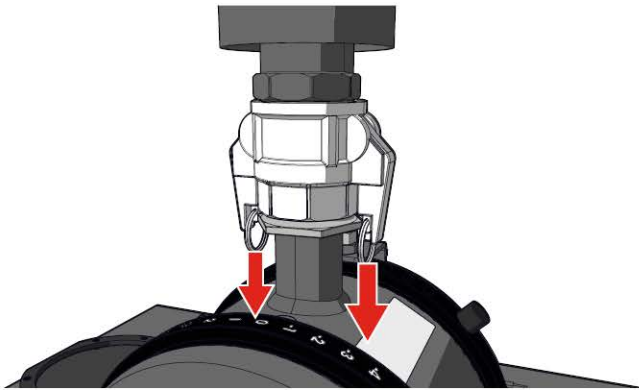
3.7 CLEAN UP

- 1 Turn open the vent valve and make sure the gauge pressure is 0 bar.

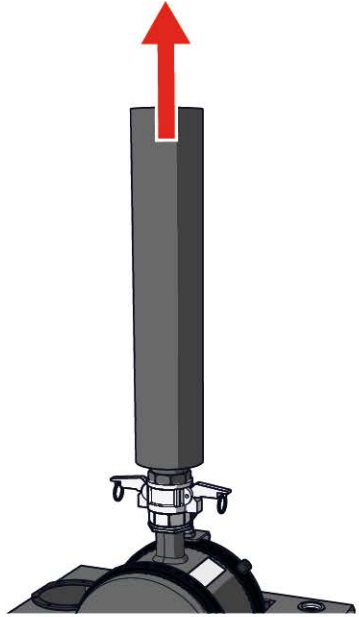
- 2 Disconnect the cables.

- 3 Rotate the tank to the vertical (0) position.

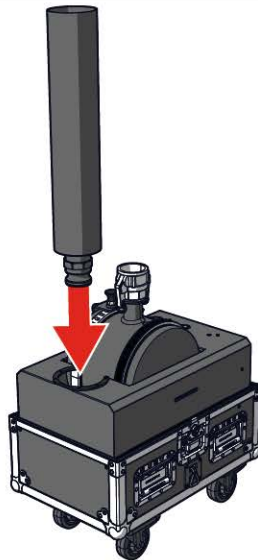
- 4 Pull the locking clamps downwards to unlock and rotate them upwards.



-
- 5 Remove the output pipe from the coupling.

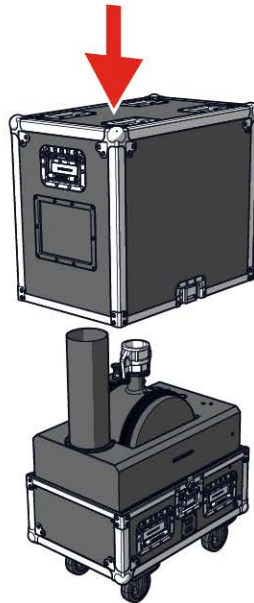


-
- 6 Store the output pipe in the flightcase.

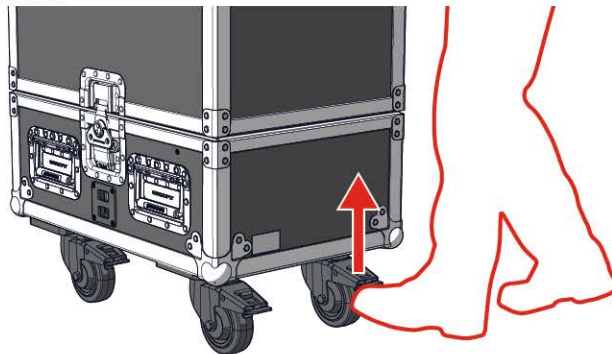


7 Remove the lashing ratchet.

8 Place and lock the flightcase cover.



9 Release the brakes.



4 MAINTENANCE

To achieve the maximum service life of the machine you must regularly clean the machine, replace the air-in filter and test if it is functioning correctly. Regularly clean dust and dirt from the compressor cooling fins and motor housing.

Contact MAGIC FX if the machine is not functioning correctly.

⚠ DANGER

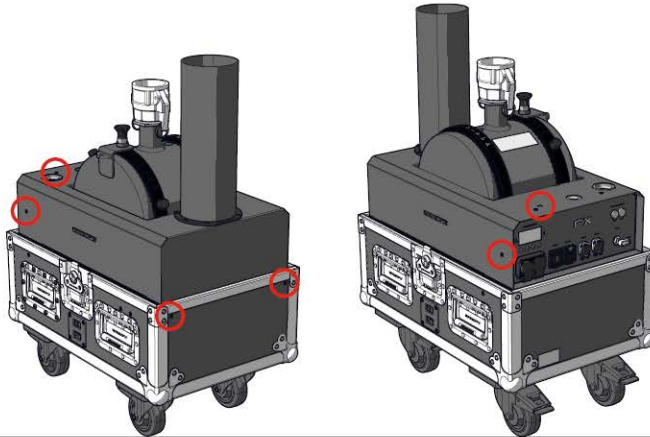
Do not replace parts yourself other than specified in this chapter; always consult MAGIC FX.

⚠ DANGER

Never clean the machine or do maintenance to the machine with the tank pressurized. Always make sure the vent valve is open.

4.1 CLEANING

- 1 Remove the top cover by removing the six screws of the top cover with a TORX20 screwdriver.



- 2 Clean the machine with air or a vacuum cleaner.
-

- 3 Attach the top cover to the machine with the TORX20 screws.
-

4.2 REPLACE THE AIR-IN FILTER

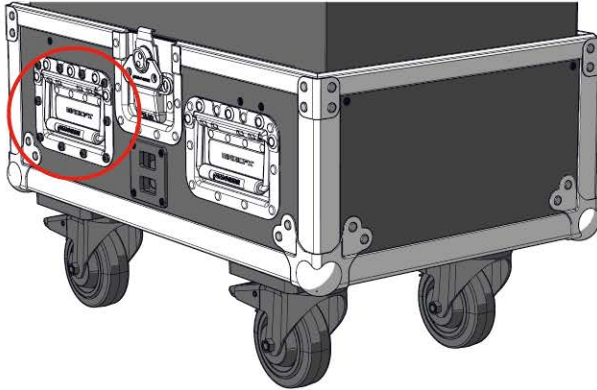
NOTICE

Do not run the machine without using an air-in filter. The compressor may be seriously damaged.

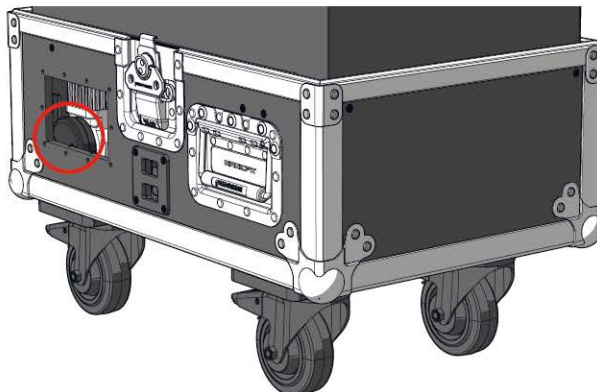
NOTICE

Replace the air-in filter element periodically. The replacement frequency depends on operating frequency and operating environment. For frequent use in dusty environments, MAGIC FX recommends to replace the air-in-filter element once a month.

- 1 Remove the handle of the machine by removing the ten inbus 3 screws of the handle.



- 2 Remove the air-in filter housing from the machine by rotating clockwise.



3 Open the plastic housing of the air-in filter.

4 Replace the air-in filter.

5 Close the plastic housing of the air-in filter.

6 Screw the air-in filter housing back into the machine.

7 Attach the handle of the machine with the inbus 3 screws.

5 TROUBLESHOOTING

In case the display shows one of the following error or alarm codes, act accordingly:

Code	Meaning	Solution
016	Tank does not reach the set pressure	<ul style="list-style-type: none">• Make sure the vent valve is entirely closed.• If the problem is not solved contact MAGIC FX.
018	Pressure keeps dropping	<ul style="list-style-type: none">• Make sure the vent valve is entirely closed.• If the problem is not solved contact MAGIC FX.
019	Misfire (system error)	<ul style="list-style-type: none">• Open the vent valve and make sure the gauge pressure is 0 bar.• Close the vent valve.• Press the compressor on/off button to pressurize again.• Wait until the STADIUMSHOT III has built up the set pressure.• Fire again.• If the problem is not solved contact MAGIC FX.
121	Orientation of device out of safe bounds	<ul style="list-style-type: none">• The machine is tilted more than allowed. Turn the machine to a level position.
123	Pressure too high	<ul style="list-style-type: none">• Open the vent valve.• Close the vent valve when the warning has disappeared.
206	Pressure not rising	<ul style="list-style-type: none">• Make sure the vent valve is entirely closed.• Press the compressor on/off button to pressurize again.• If the problem is not solved contact MAGIC FX.

Troubleshooting

Always contact MAGIC FX if any malfunctions or errors occur that cannot be solved with the instructions as described in this manual.

6 CORRECT DISPOSAL



This symbol on the product and / or accompanying documents means that used electrical and electronic products should not be mixed with general household waste. For proper treatment, recovery and recycling, please take this product to designated collection points where it will be accepted free of charge.

Alternatively, in some countries you may be able to return your products to your local retailer upon purchase of an equivalent new product.

Disposing of this product correctly will help save valuable resources and prevent any potential negative effects on human health and the environment, which could otherwise arise from inappropriate waste handling.

Please contact your local authority for further details of your nearest designated collection point.

Penalties may be applicable for incorrect disposal of this waste, in accordance with your national legislation.

7 EC DECLARATION OF CONFORMITY

According to Annex III A Machinery Directive 2006/42/EC

MAGIC FX B.V. declares as manufacturer and composer of the technical construction file that the product with the following specifications:

Name machine : STADIUMSHOT III
Type : MFX0408
Voltage : 100-250 Vac 50-60 Hz/24 Vdc
Max. working pressure : 8 bar / 116 psi
Volume : 10.9 L
Serial number : on product
Year of construction : on product

Is in conformity with the minimal safety regulations as stated in the following directive(s):

- LVD (2014/35/EU) Low Voltage Directive
- EMC (2014/30/EC) ElectroMagnetic Compatibility
- RoHS (2011/65/EU) Restriction of the use of certain Hazardous Substances
- WEEE (2012/19/EU) Waste Electrical & Electronic Equipment
- PED (2014/68/EU) Pressure Equipment

The following harmonized standards were applied:

- NEN-EN-ISO 12100:2010, Safety of machinery - General principles for design - Risk assessment and risk reduction.
- NEN-EN-IEC 60204:2018, Safety of machinery - Electrical equipment of machines - Part 1: General requirements.
- NEN-EN-IEC 61000-6-3:2007/A1:2011/C11:2012, Electromagnetic compatibility (EMC) - Part 6-3: Generic standards - Emission standard for residential, commercial and light-industrial environments.
- NEN-EN 13445-1:2014, Unfired pressure vessels.

- Original declaration of conformity
 Translation of the original declaration of conformity

Name manufacturer : MAGIC FX B.V.
Address : Schouwrooij 27, 5281 RE BOXTEL
Country : The Netherlands

CEO : B. Veroude
Date : 11-2-2020

Signature :



MAG:CFX[®]

WWW.MAGICFX.EU

